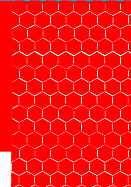


SRA150

MOTORIZED GLASS ROOF SYSTEM



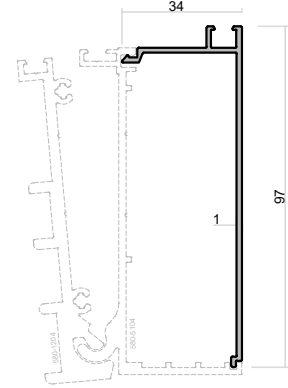
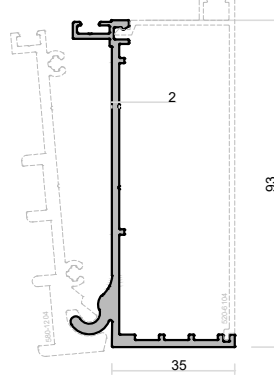
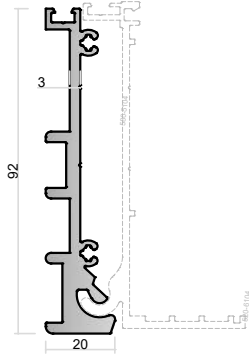
ACCURACY



HARMONY



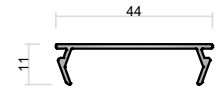
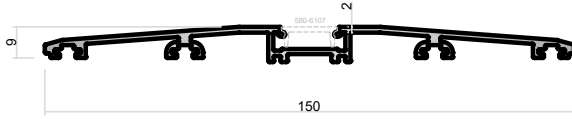
BALANCE



580-1204 (1,469 kg/ml)
SRA150 M08 DUVAR BITİM PROFİLİ

580-6104 (0,989 kg/ml)
AÇI LI ETİM PROFİLİ

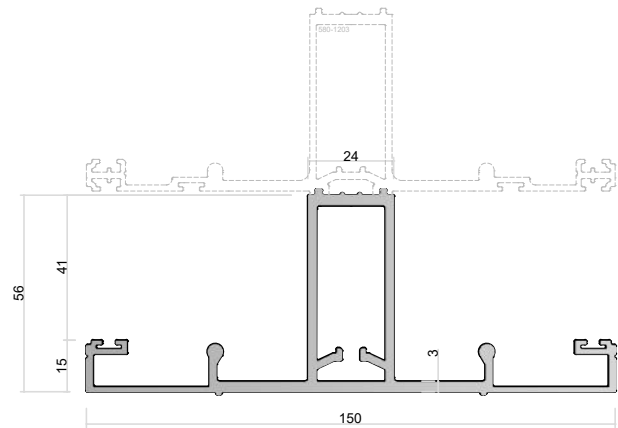
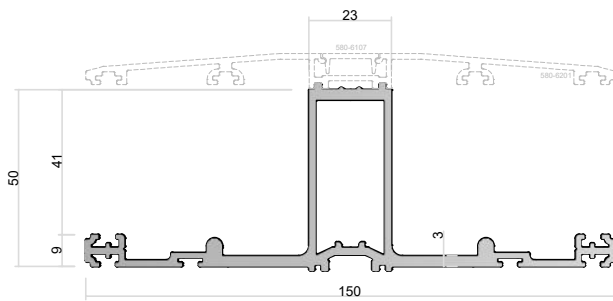
520-6104 (0,558 kg/ml)
ADAPTOR PROFİLİ



580-6201 (1,019 kg/ml)
SRA150 PD1 KAPAK PROFİLİ

580-6107 (0,085 kg/ml)
KANAL KAPAMA ÇITASI

580-7201 (0,225 kg/ml)
SRA150 A12 RAY YAN KAPAK PROFİLİ



580-1203 (1,967 kg/ml)
SRA150 M05 ÜST RAY PROFİLİ

580-1202 (2,306 kg/ml)
SRA150 M04 ALT RAY PROFİLİ

SRA150

MOTORIZED GLASS ROOF SYSTEM



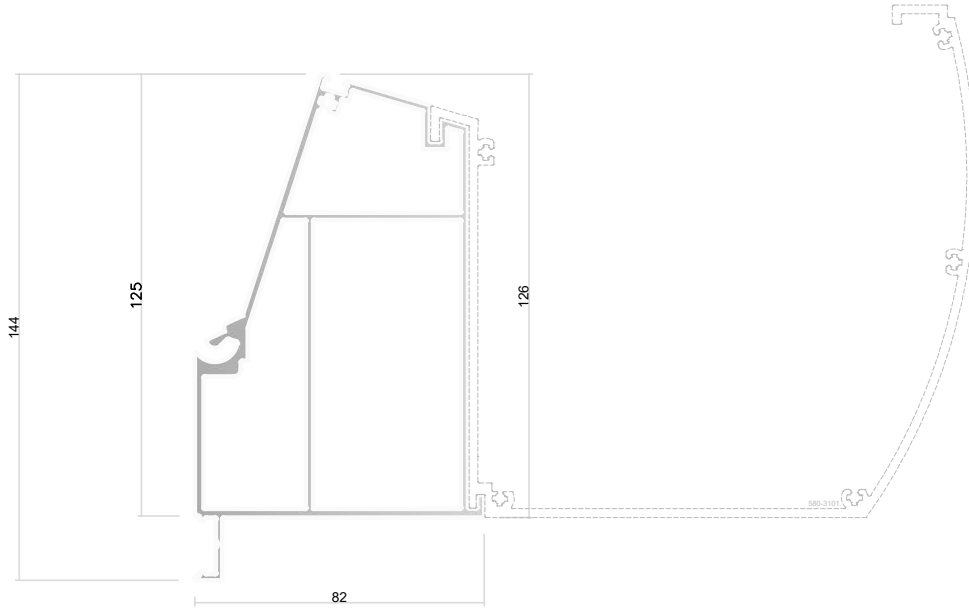
ACCURACY



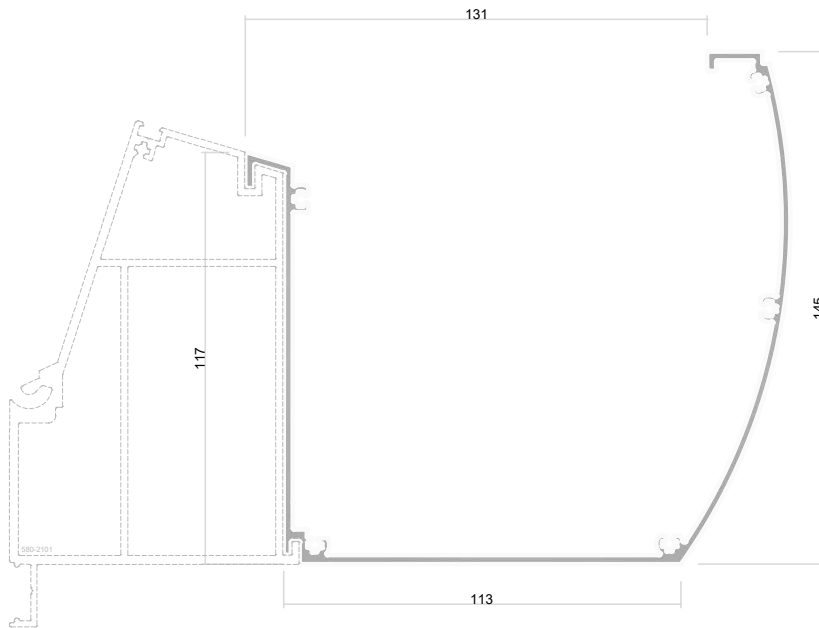
HARMONY



BALANCE



580-2101 (3,438 kg/ml)
SRA150 T01 BASI PROFILI



580-3101 (3,070 kg/ml)
SRA150 A05 DERE PROFILI

SRA150

MOTORIZED GLASS ROOF SYSTEM



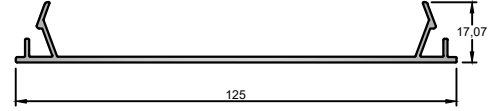
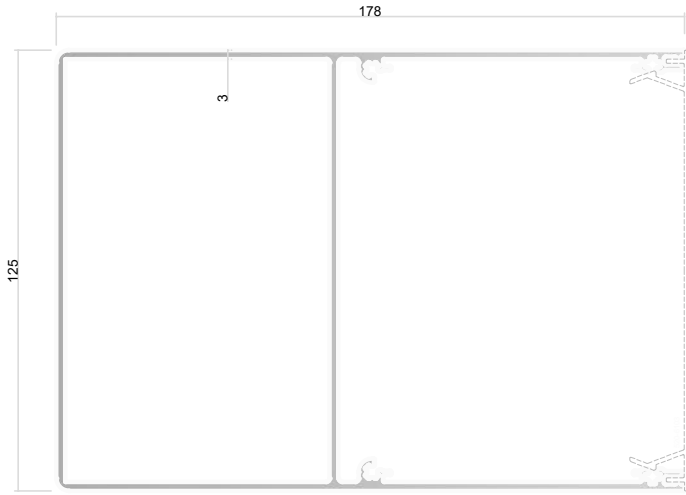
ACCURACY



HARMONY

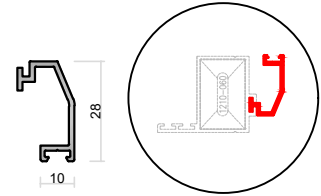
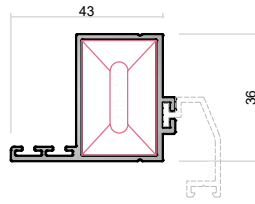
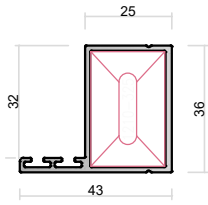


BALANCE



580-1103 (4,099 kg/m²)
TAŞIYICI DIKME PROFİLİ

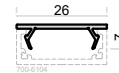
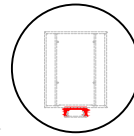
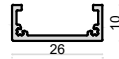
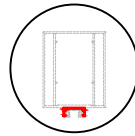
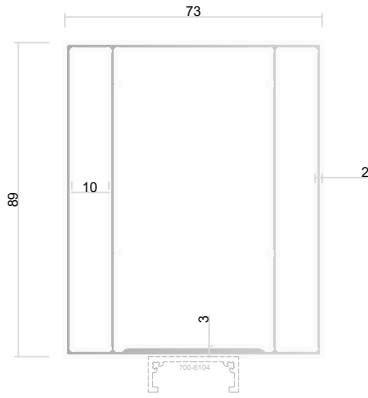
520-6103 (0,650kg/m²)
KAPAK PROFİLİ



580-4201 (0,613 kg/m²)
SRA150 M02 KANAT PROFİLİ

580-4202 (0,663 kg/m²)
SRA150 KANAT PROFİLİ

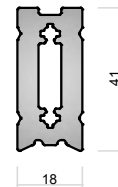
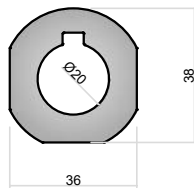
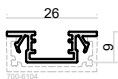
580-5203 (0,250kg/m²)
DAMLA ALIK



580-1201 (2,743 kg/m²)
SRA150 M03 TAŞIYICI DIKME PROFİLİ

700-6104 (0,199 kg/m²)
LED KASA PROFİLİ

700-6102 (0,115 kg/m²)
KAPAK PROFİLİ



700-6103 (0,167 kg/m²)
LED PROFİLİ

580-6101 (2,286 kg/m²)
SRA150 HAREKET AKTARMA PROFİLİ

580-6102 (1,473 kg/m²)
BAĞLANTI ADAPTÖR PROFİLİ

SRA150

MOTORIZED GLASS ROOF SYSTEM



ACCURACY

HARMONY

BALANCE

ÜRÜN ÇİZİMİ <i>DRAWING</i>	SİSTEM KOD <i>SYSTEM CODE</i>	ÜRÜNÜN ADI <i>PRODUCT NAME</i>
	3516500	SİSTEM RULMAN
	9516934	SRA150 MOTOR AKTARIM MİLİ
	9801702	KAPAK
	9503110	8 MM KAYIŞ
	9816300	KAYIŞ KANAT BAĞLANTI
	9801000	120 NM TUP MOTOR
	9801308	ÖN GERGİ ALT SAĞ SOL
	9801309	ÖN GERGİ TAKIMI ORTA AKSLAR
	9801310	SERVO MOTOR İÇİN ARKA HAREKET MİLİ SAĞ SOL KENAR
	9801311	SERVO MOTOR İÇİN ARKA HAREKET MİLİ ORTA AKSLAR

SRA150

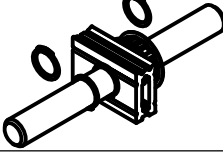
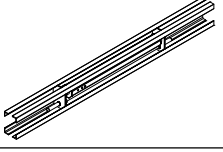
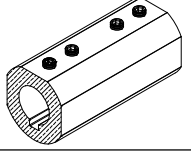

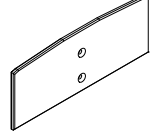
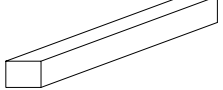
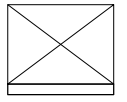
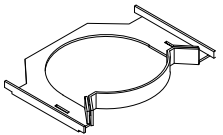
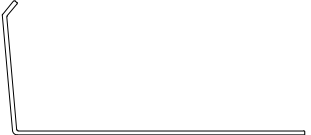
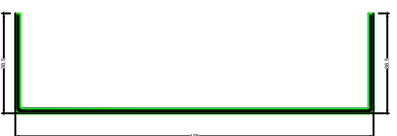
MOTORIZED GLASS ROOF SYSTEM



ACCURACY

HARMONY

BALANCE

ÜRÜN ÇİZİMİ DRAWING	SİSTEM KOD SYSTEM CODE	ÜRÜNÜN ADI PRODUCT NAME
	9801312	SERVO MOTOR İÇİN ARKA ORTA AKS HAREKET İLETİM
	9809100	MOTOR KUTU
	9501301	MİL BAĞLANTI APARATI
	7599229	ÇİFT TARAF YAPIŞKANLI BANT 1 MM
	9801703	SABİT BÖLÜM KAPAĞI
	5325200	KANAT DESTEK TAKOZU 10*7,5 50 mm
	9825900	KANAT DESTEK TAKOZU 10*7,5 50 mm + ÇİFT TARAF YAPIŞKANLI BANT 1 MM
	8003604	Ø70MM PVC BORU KELEPÇESİ
	ÖZEL AKS	2 MM BÜKÜM LEVHA
	1616411	DERE BİRLEŞİM LEVHASI H: 300 MM

SRA150

MOTORIZED GLASS ROOF SYSTEM



ACCURACY

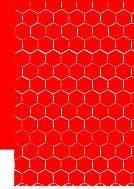
HARMONY

BALANCE

ÜRÜN ÇİZİMİ <i>DRAWING</i>	SİSTEM KOD <i>SYSTEM CODE</i>	ÜRÜNÜN ADI <i>PRODUCT NAME</i>
	3202516	GÖLGELENDİRME SIZDIRMAZLIK FİTİLİ
	3202127	İÇ CAM FİTİLİ
	3203010	FİTİL KİL 6,7*800 MM
	9801700	ARKA BİTİŞ KAPAK
	9801701	ÖN OLUK KAPAK
	9808300	KOLON ÜST BAĞLANTI
	9808301	KOLON ALT BAĞLANTI
	8003601	SÜZGEÇ 70MM
	5303207	CAM TAKOZU 5x25x80 mm
	5303218	CAM TAKOZU 2x20x80 mm

SRA150


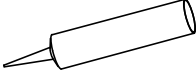
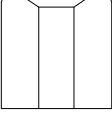
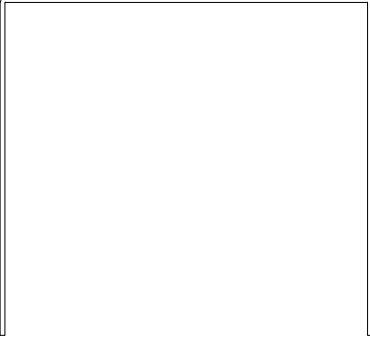

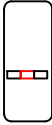
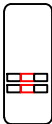
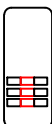
MOTORIZED GLASS ROOF SYSTEM



ACCURACY

HARMONY

BALANCE

ÜRÜN ÇİZİMİ <i>DRAWING</i>	SİSTEM KOD <i>SYSTEM CODE</i>	ÜRÜNÜN ADI <i>PRODUCT NAME</i>
	7599222	CAMLAMA BANTI 15*2 MM
	7605502	SOUDAL FIX HIGHTACK 290 ML
	9803600	KANAT STOPER PROFİLİ 12,5x12,5 mm
	1616412	MOTOR KUTU LEVHA ALT 1,0 mt
	1616413	MOTOR KUTU LEVHA ALT 1,25 mt
	1616414	MOTOR KUTU LEVHA ALT 1,50 mt
	1210-325	KÖŞE TAKOZU
	9501104	KUMANDA 1KANAL EC541-11
	9501101	KUMANDA 5KANAL EC545-11
	9501106	KUMANDA 10KANAL EC5410-11

SRA150

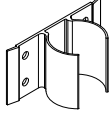
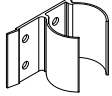




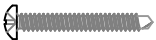
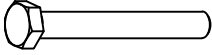
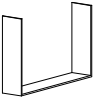
MOTORIZED GLASS ROOF SYSTEM



ACCURACY

HARMONY

BALANCE

ÜRÜN ÇİZİMİ <i>DRAWING</i>	SİSTEM KOD <i>SYSTEM CODE</i>	ÜRÜNÜN ADI <i>PRODUCT NAME</i>
	1601512	U BAĞLANTI 46,5MM
	1601514	U BAĞLANTI 46,5MM
	1507113	MATKAP UÇLU VİDA YSB 4,8*60 INOX
	1507110	MATKAP UÇLU VİDA YSB 4,8*25 INOX
	1507107	MATKAP UÇLU VİDA YSB 3,9*16 INOX
	1507123	MATKAP UÇLU VİDA YSB 4,8*32 INOX
	1507111	MATKAP UÇLU VİDA YSB 4,8*38 INOX
	1501614	CİVATA M10*100
	9801313	DERE İLAVE DESTEK SACI

SRA150

MOTORIZED GLASS ROOF SYSTEM



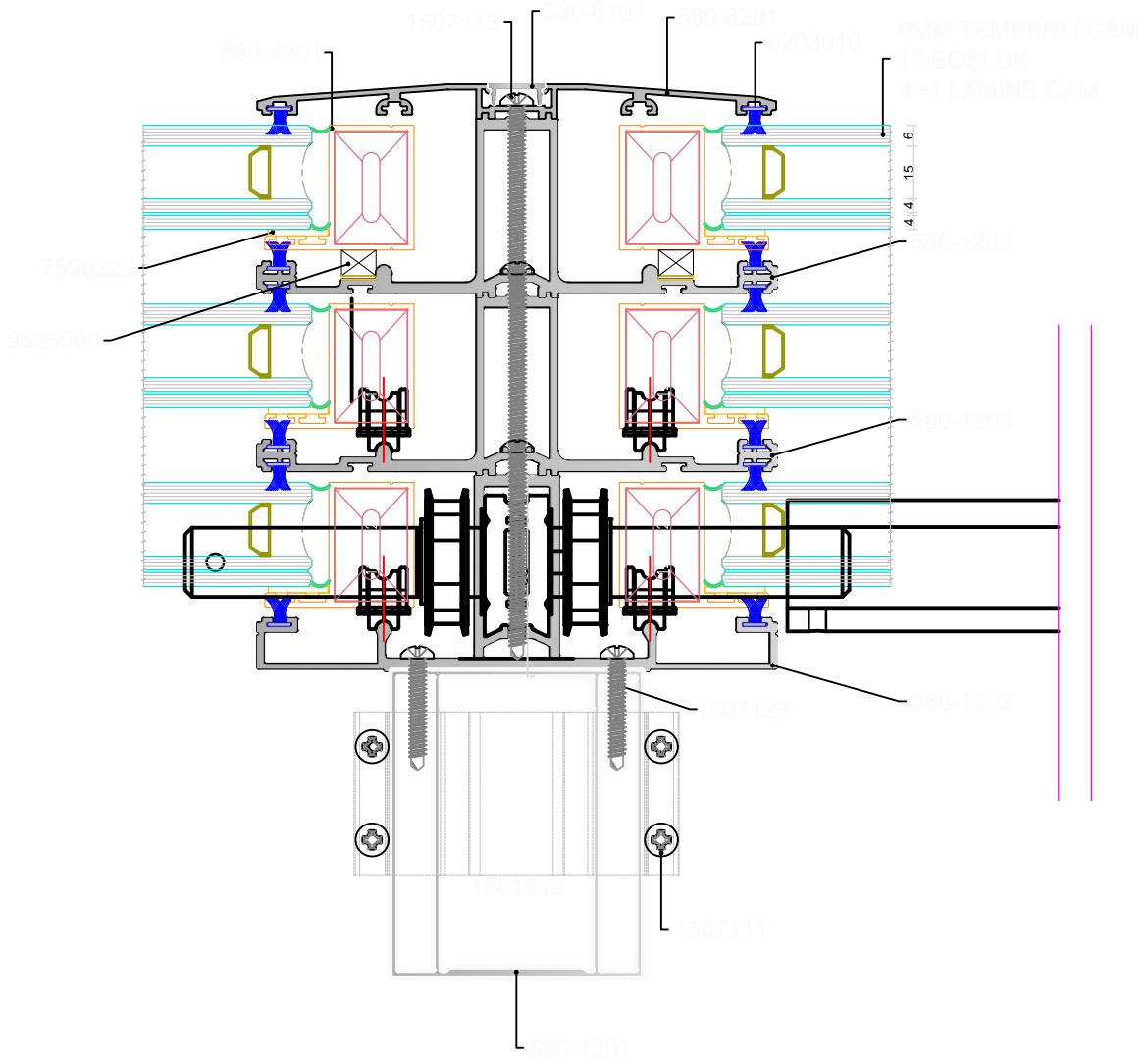
ACCURACY



HARMONY



BALANCE



SRA150

MOTORIZED GLASS ROOF SYSTEM



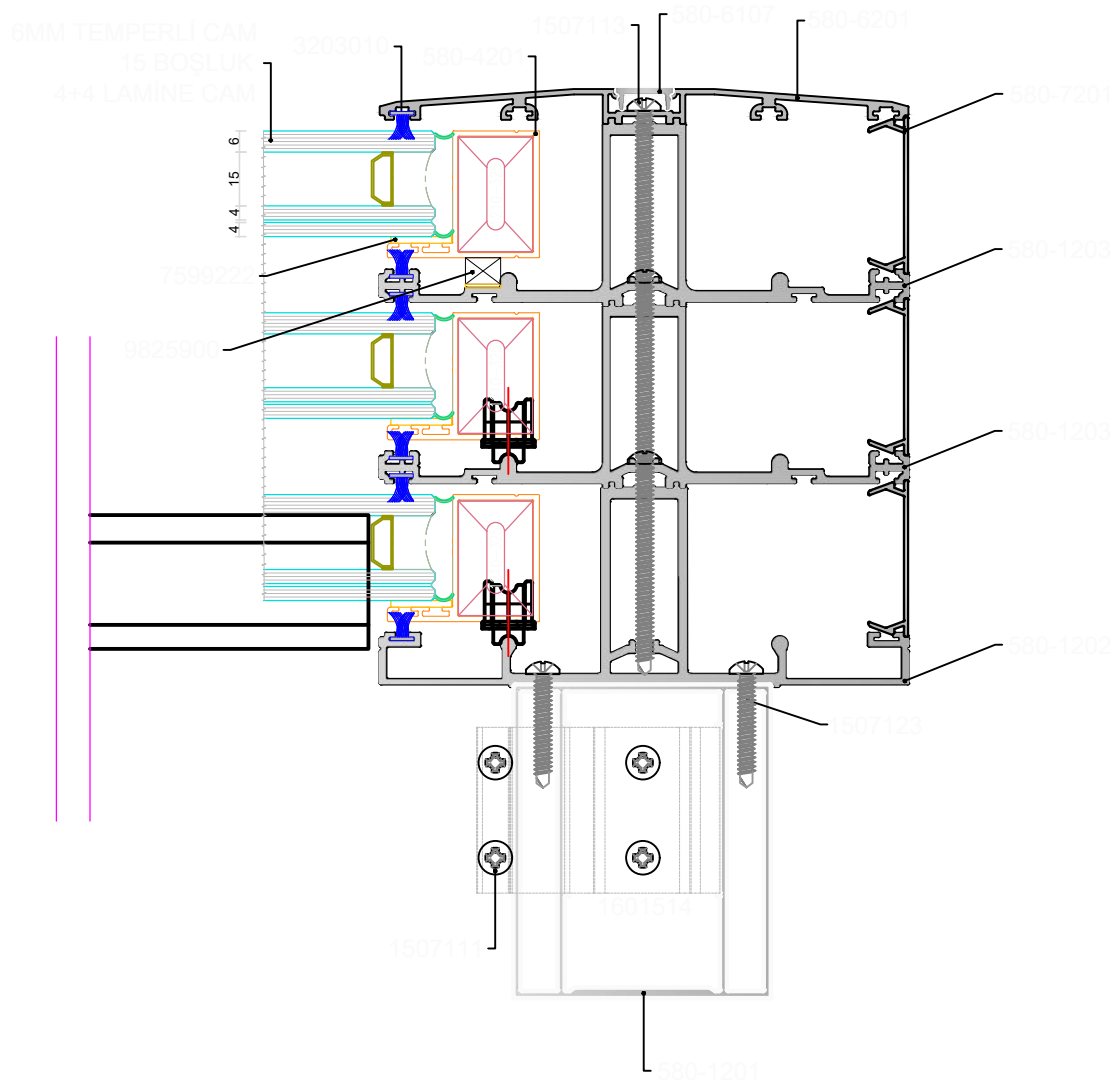
ACCURACY



HARMONY



BALANCE



SRA150

MOTORIZED GLASS ROOF SYSTEM



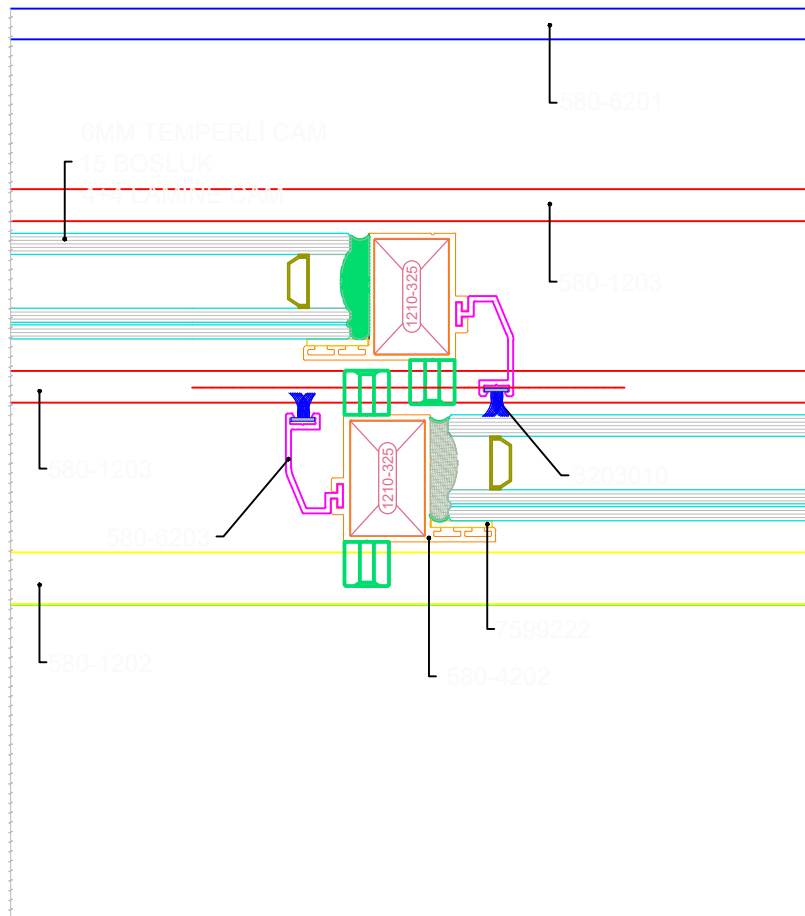
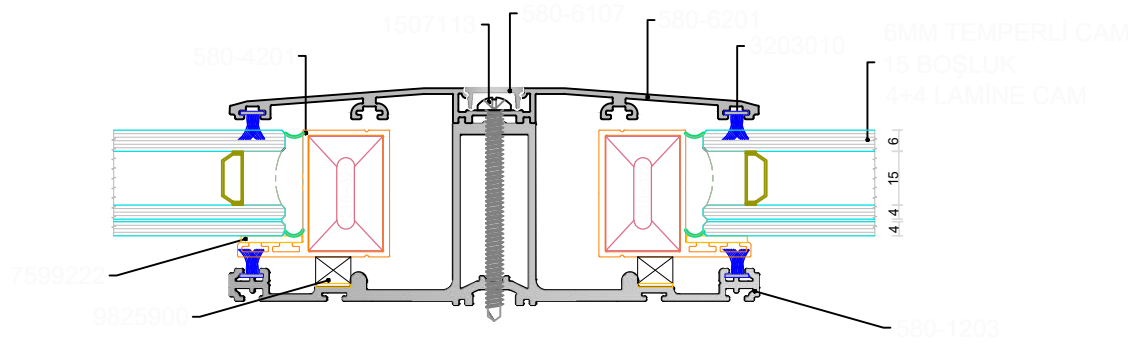
ACCURACY



HARMONY

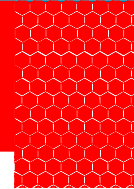


BALANCE



SRA150

MOTORIZED GLASS ROOF SYSTEM



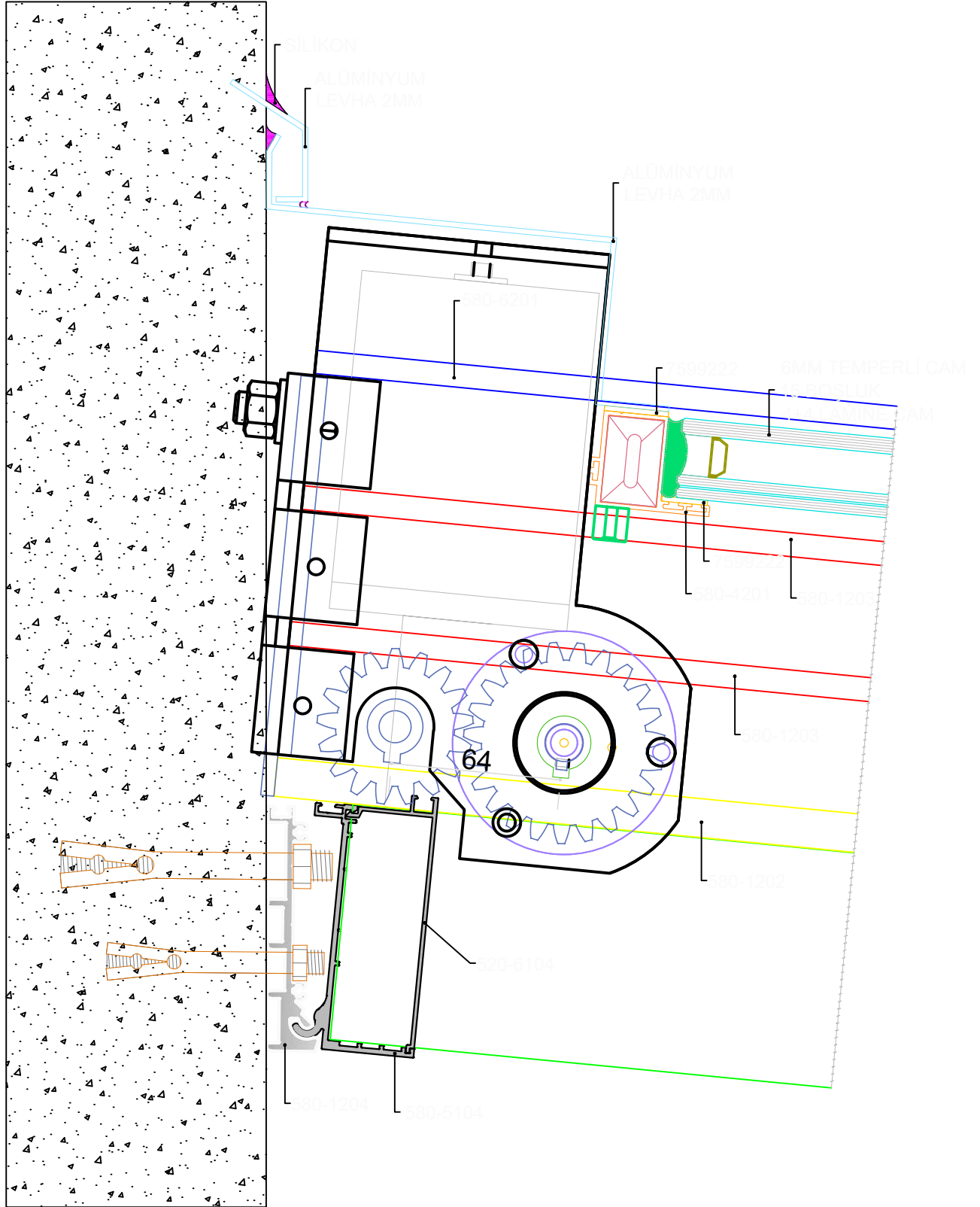
ACCURACY



HARMONY



BALANCE



SRA150

MOTORIZED GLASS ROOF SYSTEM



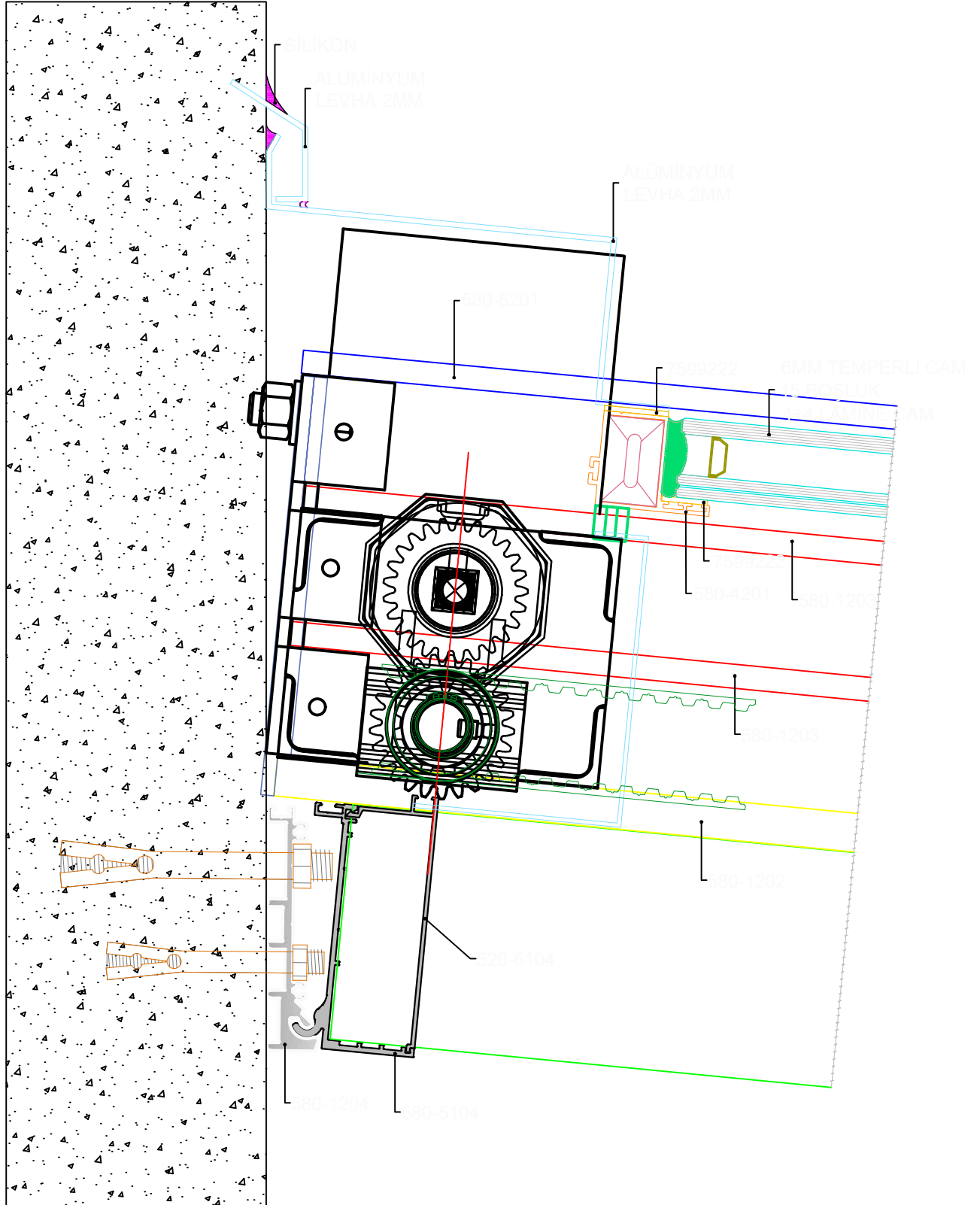
ACCURACY



HARMONY



BALANCE



SRA150

MOTORIZED GLASS ROOF SYSTEM



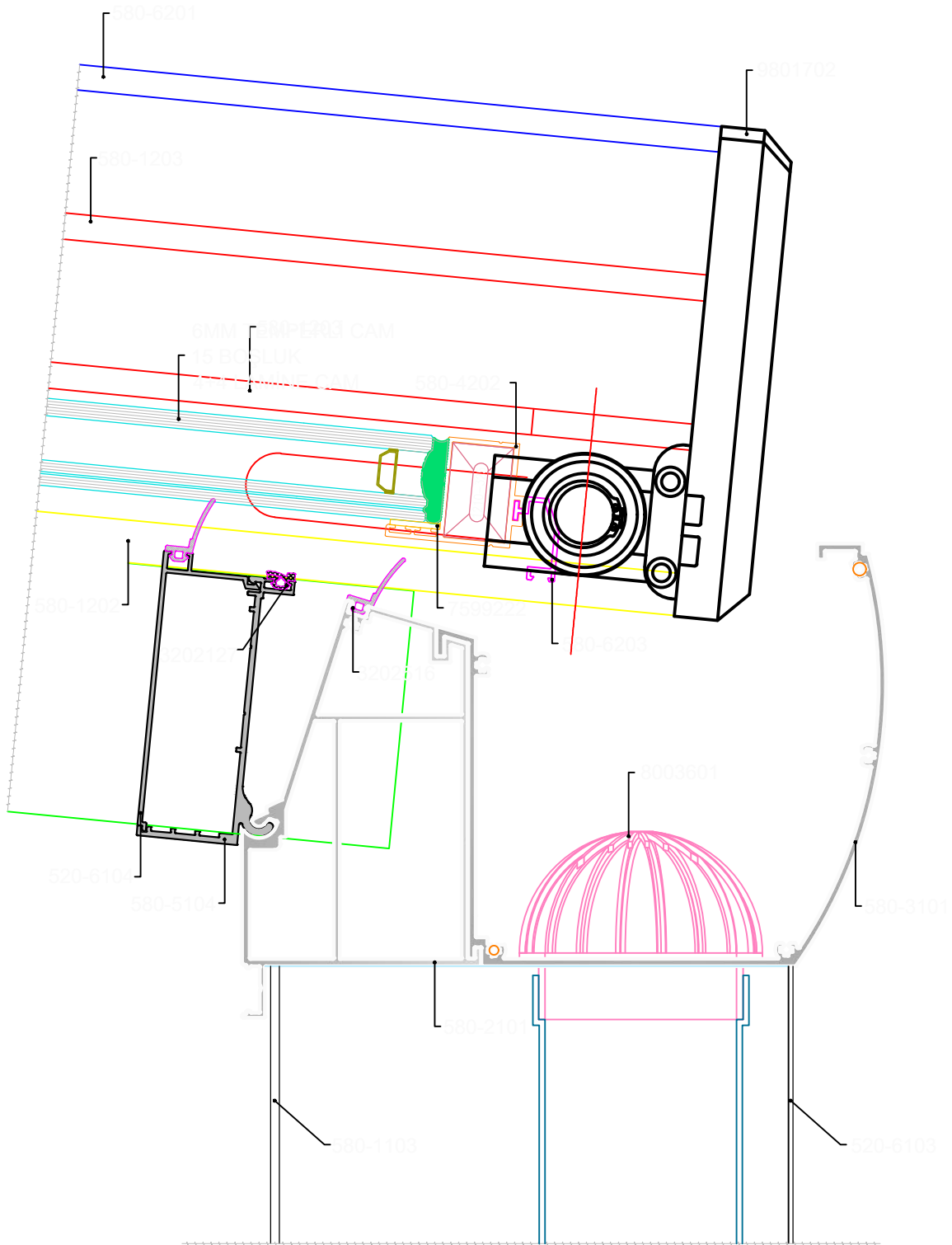
ACCURACY



HARMONY

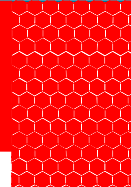


BALANCE



SRA150

MOTORIZED GLASS ROOF SYSTEM



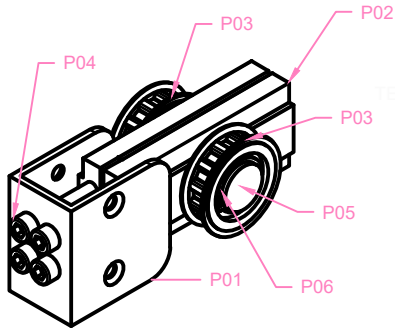
ACCURACY



HARMONY



BALANCE



TENSIONING PART MIDDLE

P01-KASA

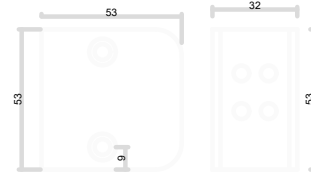
P02-KIZAK

P03-MAKARA

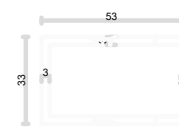
P04-ARSA CIKATA

P05-HEL

P06-SEGMAN



P01-KASA



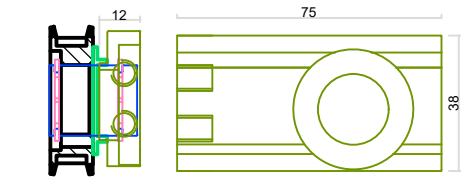
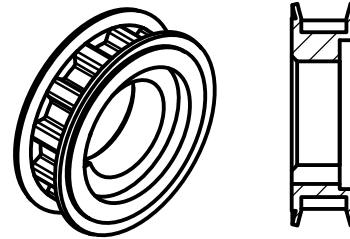
P02-KIZAK

P03-MAKARA

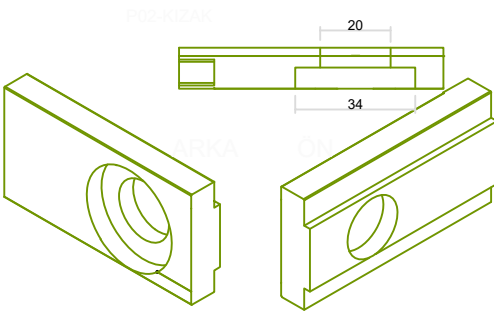
P04-ARSA CIKATA

P05-HEL

P06-SEGMAN

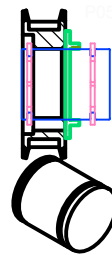


P01-KASA



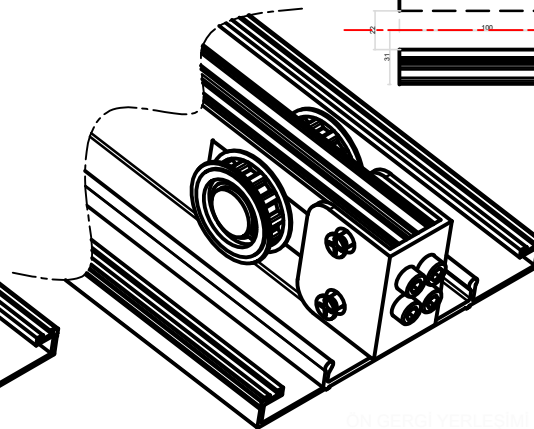
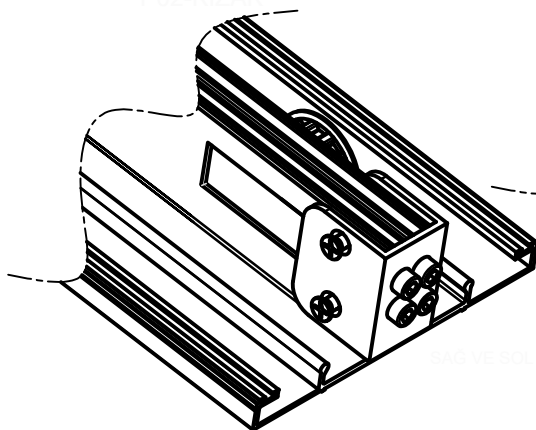
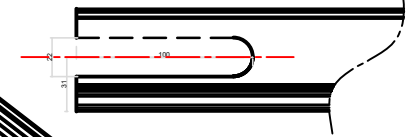
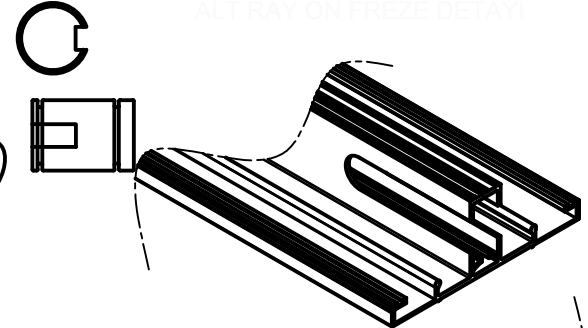
P02-KIZAK

P03-MAKARA



P05-HEL

ALU RAY ON FREZE DETAYI

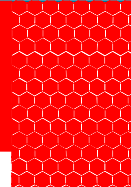


AKSİYERİ TEYİSLERİ DETAYI

AKSİYERİ TEYİSLERİ DETAYI

SRA150

MOTORIZED GLASS ROOF SYSTEM



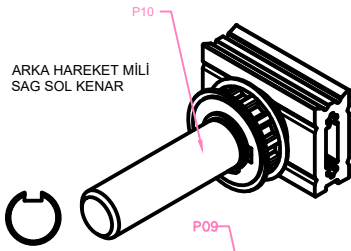
ACCURACY



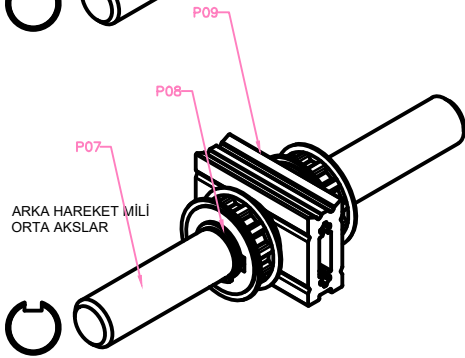
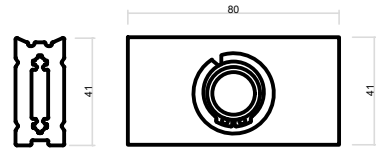
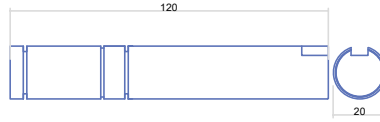
HARMONY



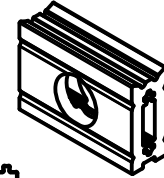
BALANCE



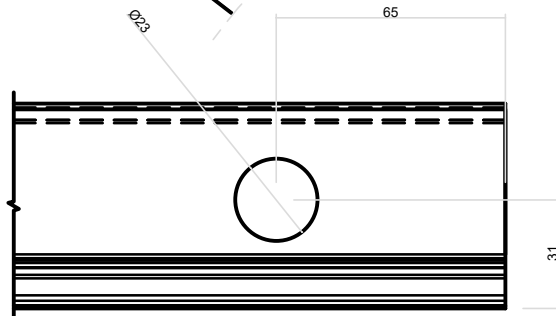
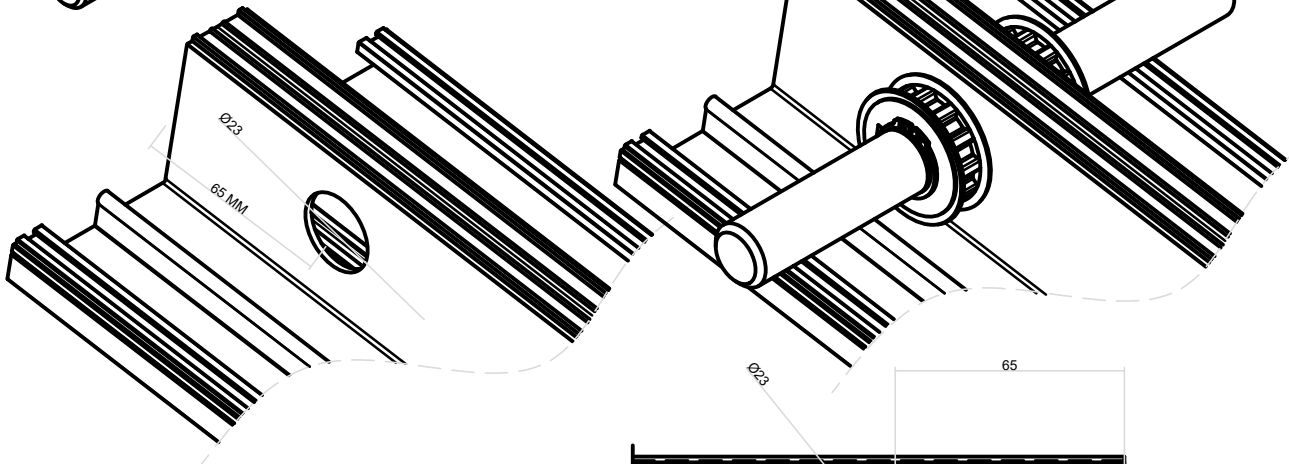
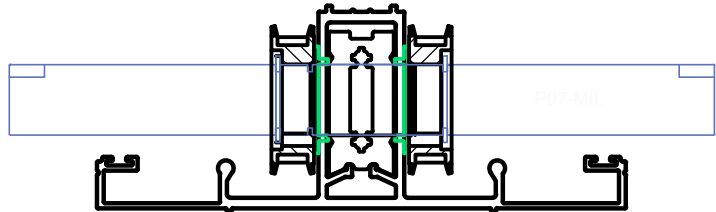
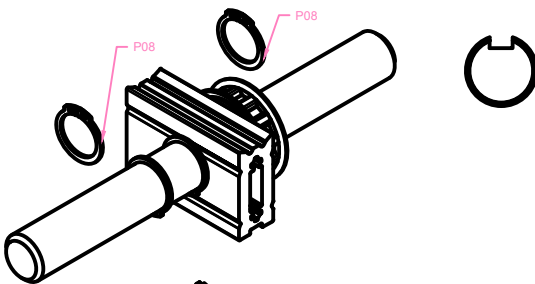
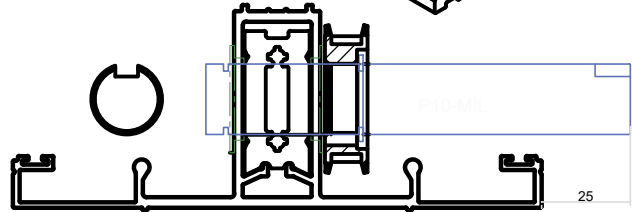
ARKA HAREKET MILI
SAG SOL KENAR



ARKA HAREKET MILI
ORTA AKSLAR

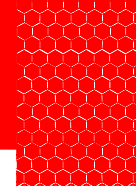


YAS DESTEĞİ PROF.



SRA150

MOTORIZED GLASS ROOF SYSTEM



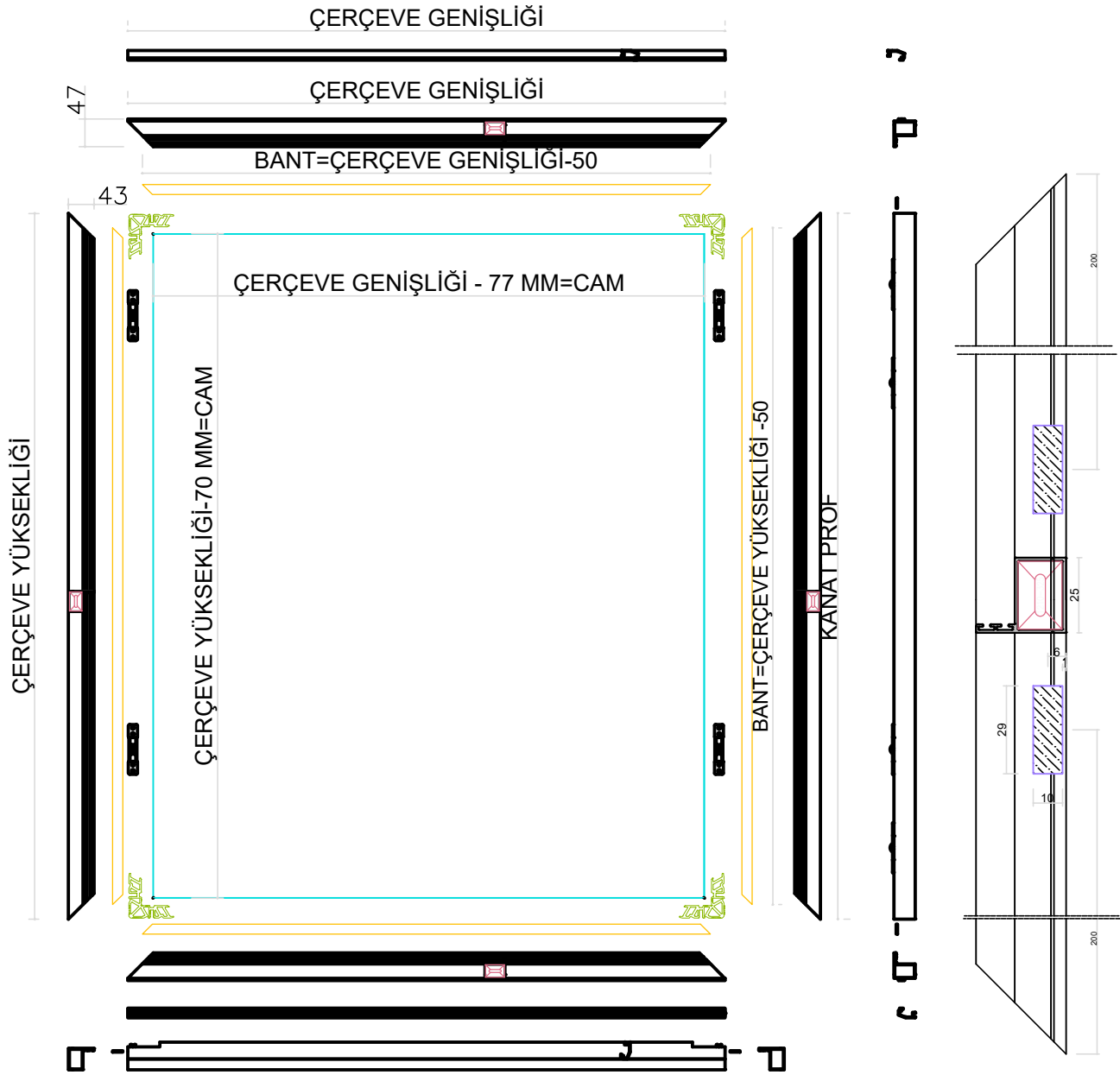
ACCURACY



HARMONY



BALANCE



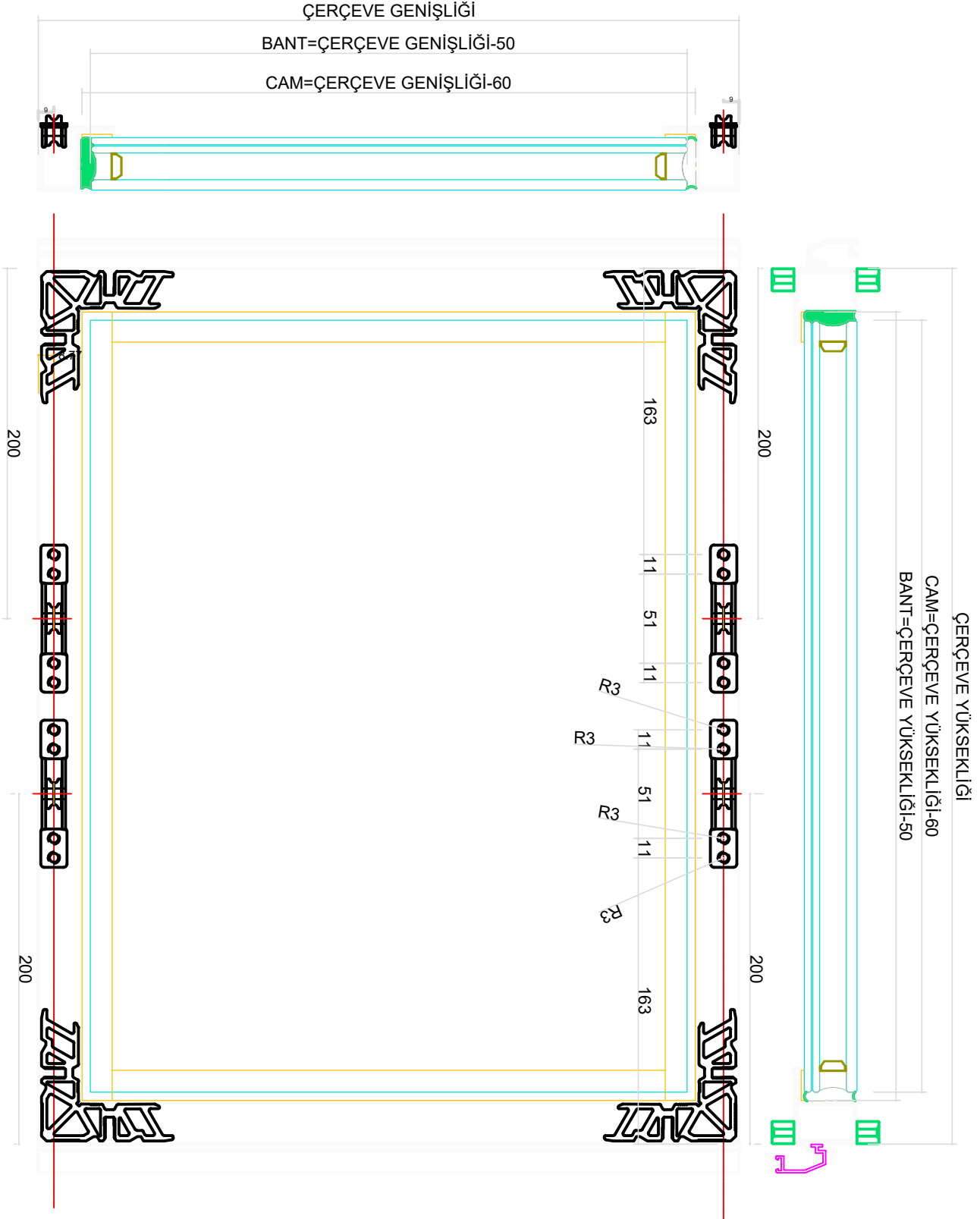
SRA150

MOTORIZED GLASS ROOF SYSTEM

ACCURACY

HARMONY

BALANCE



SRA150

MOTORIZED GLASS ROOF SYSTEM



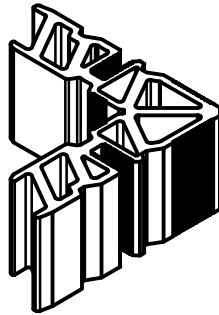
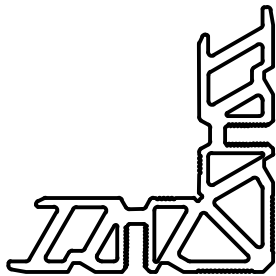
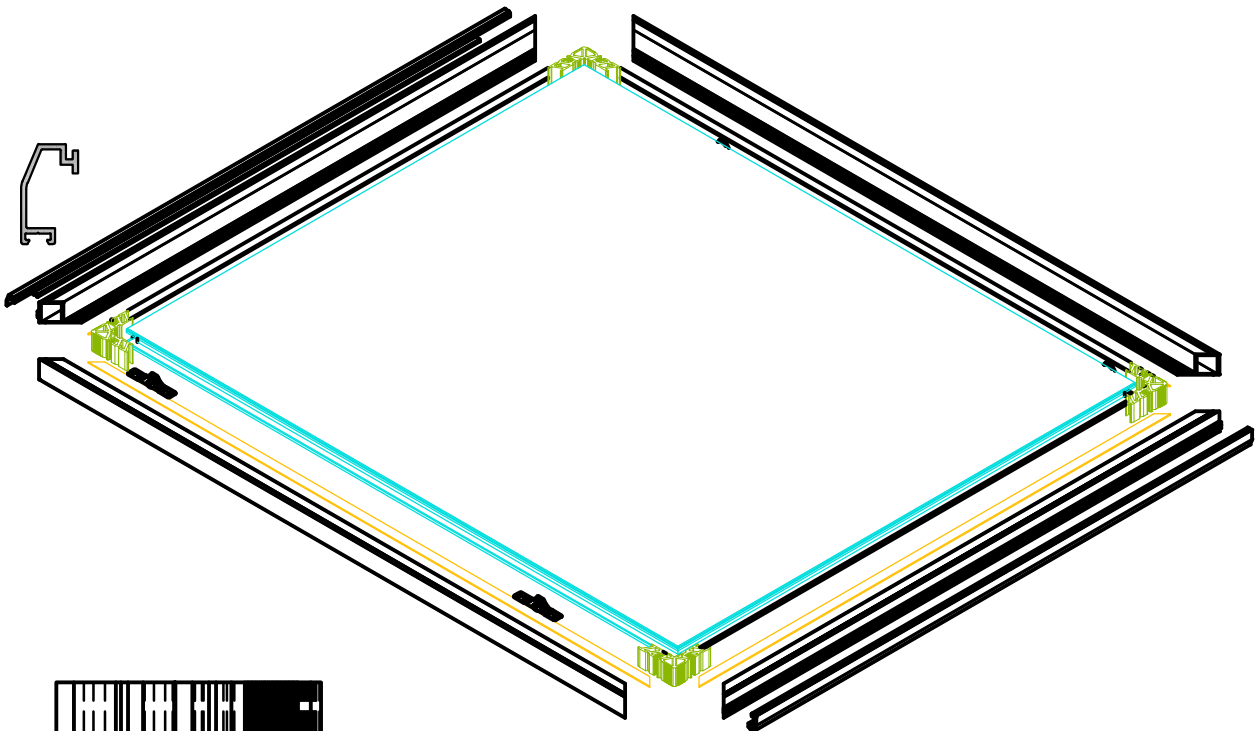
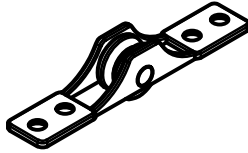
ACCURACY



HARMONY

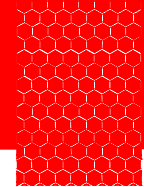


BALANCE



SRA150

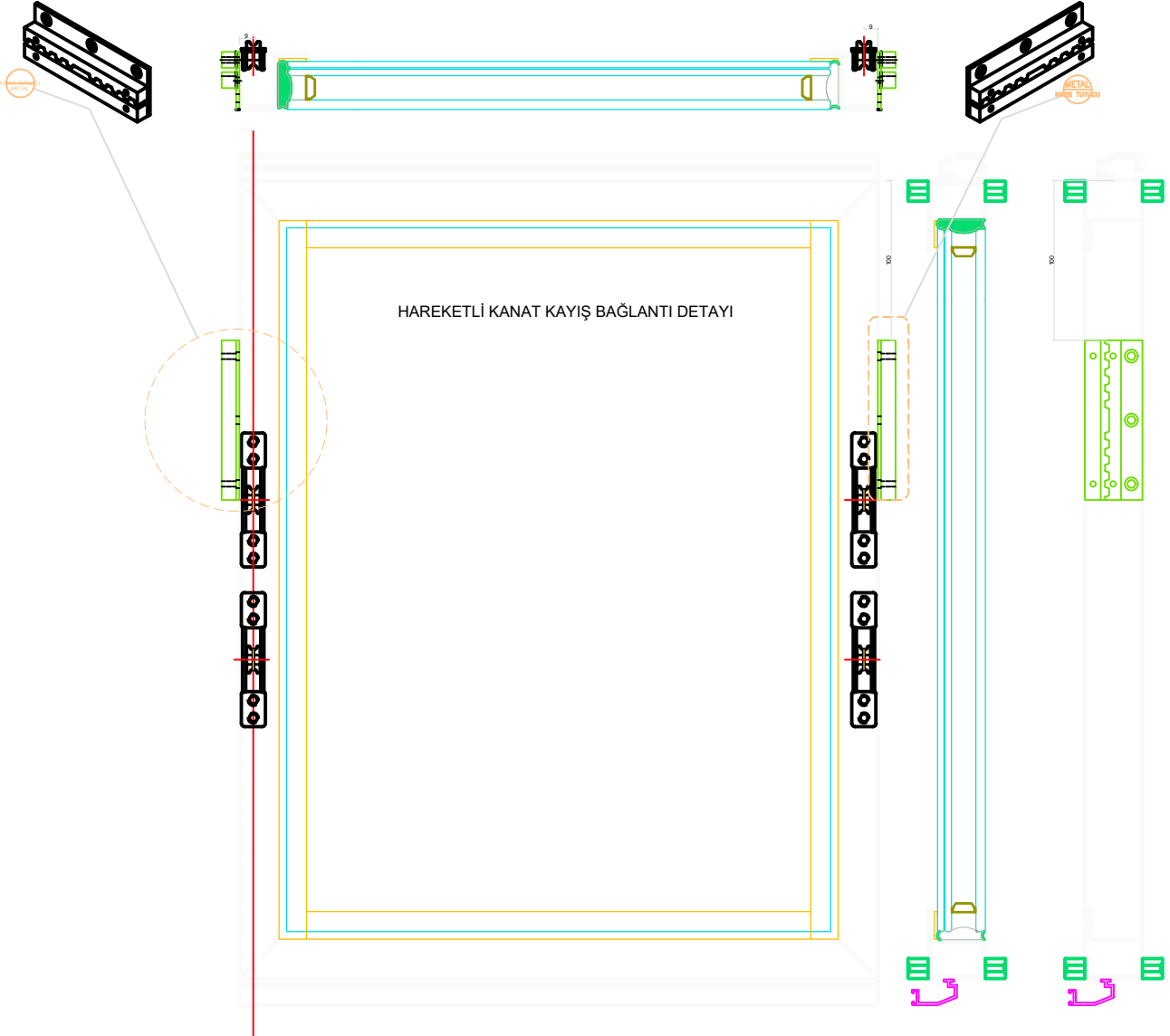
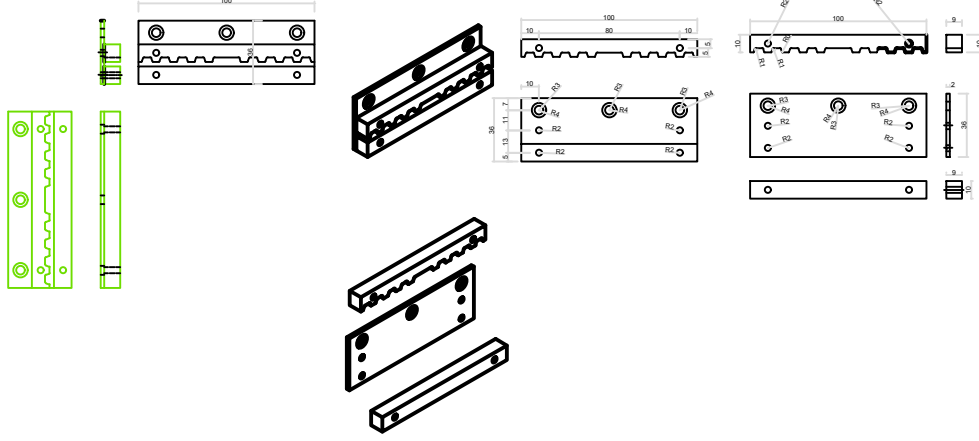
MOTORIZED GLASS ROOF SYSTEM



ACCURACY

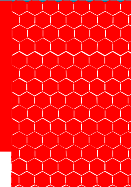
HARMONY

BALANCE



SRA150

MOTORIZED GLASS ROOF SYSTEM



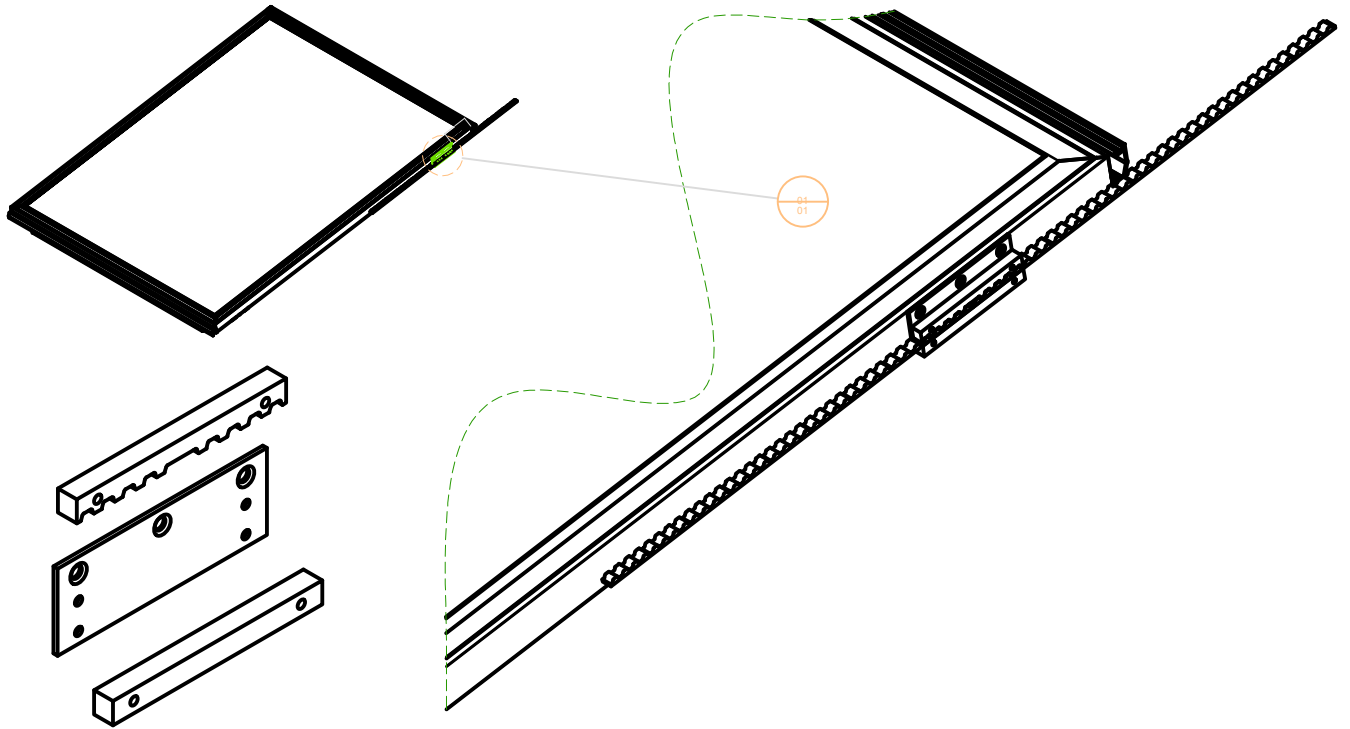
ACCURACY



HARMONY

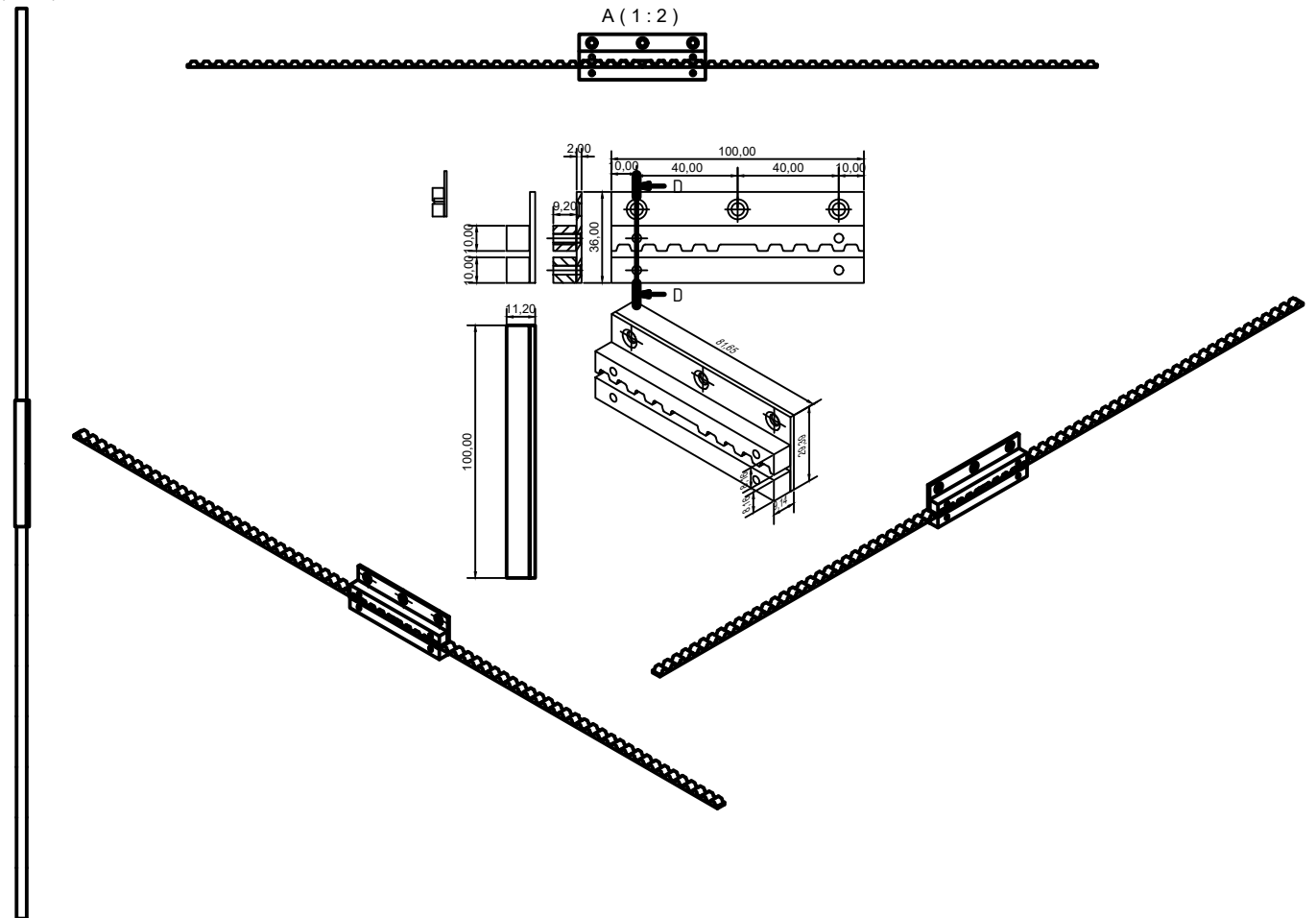


BALANCE



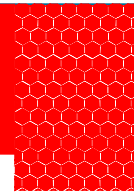
B (1:2)

A (1:2)



SRA150

MOTORIZED GLASS ROOF SYSTEM



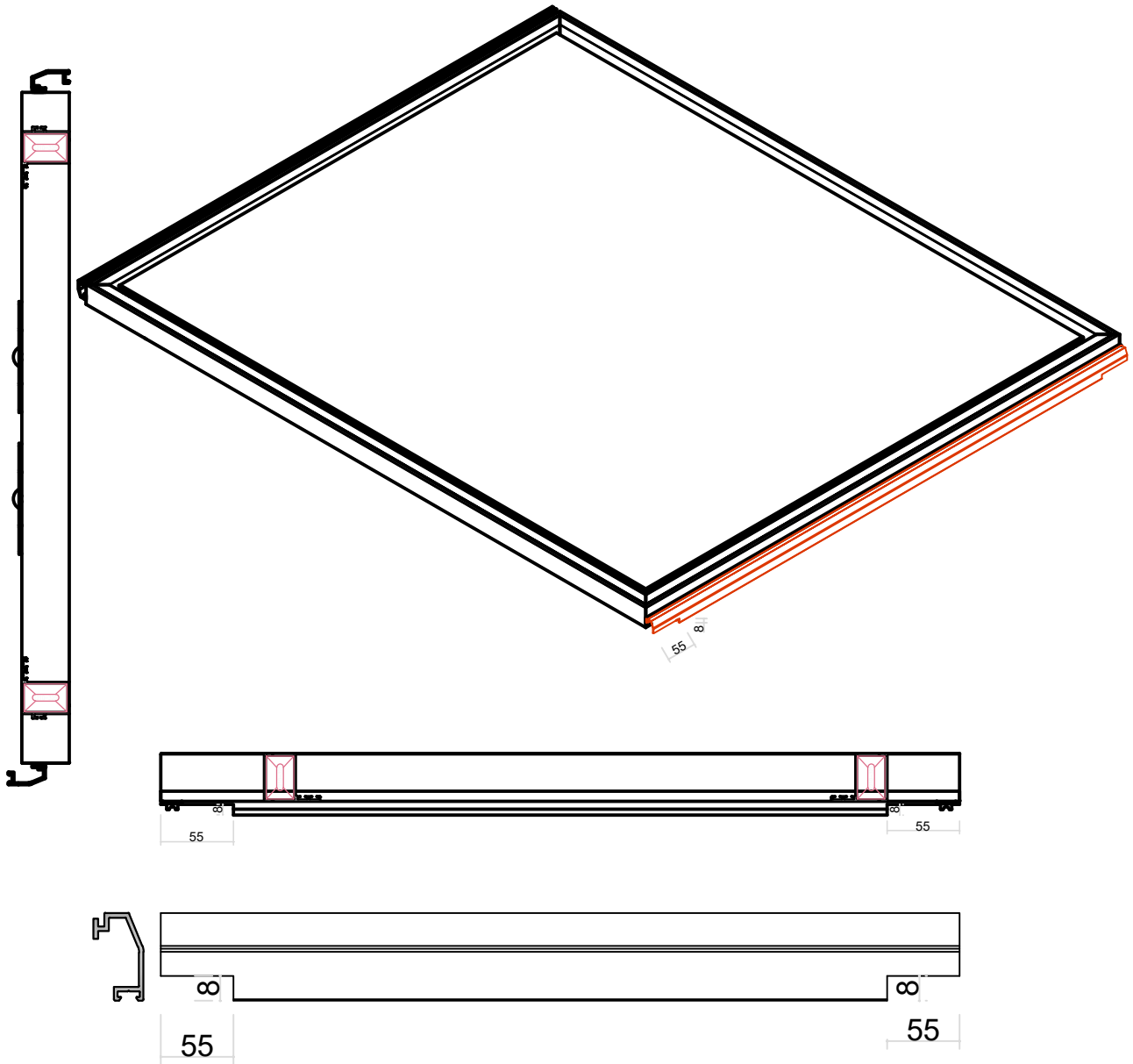
ACCURACY



HARMONY



BALANCE



SRA150

MOTORIZED GLASS ROOF SYSTEM



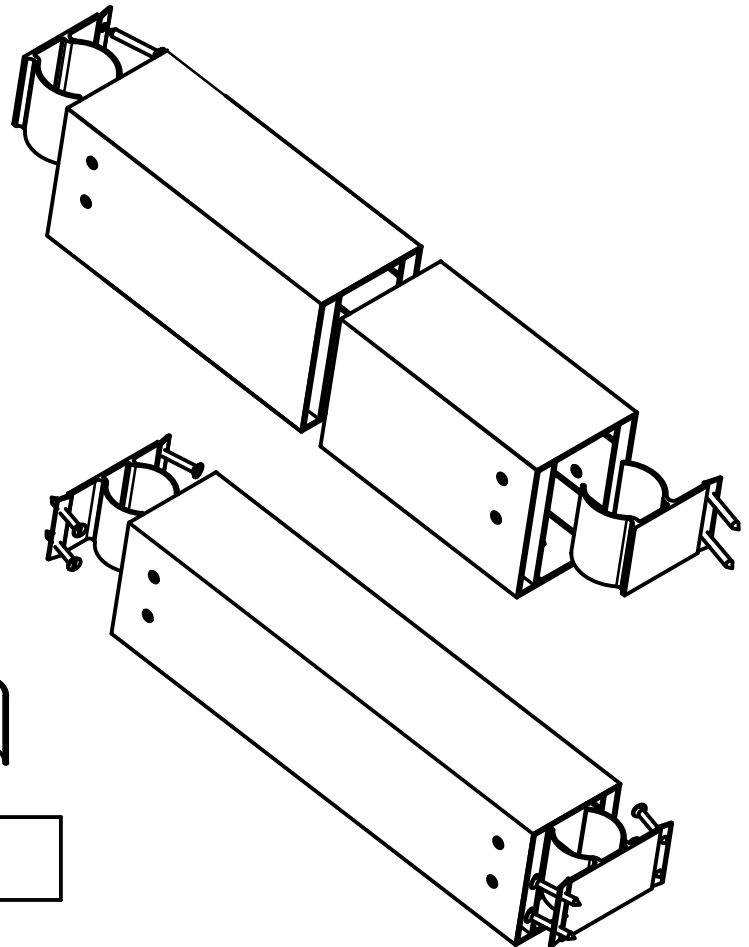
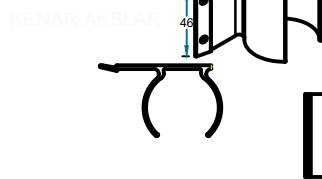
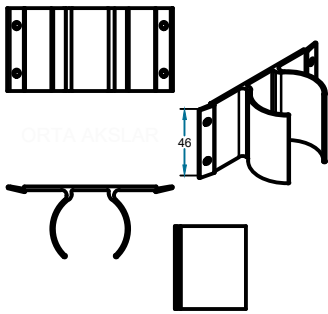
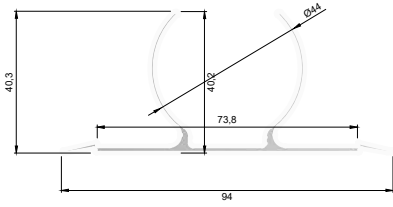
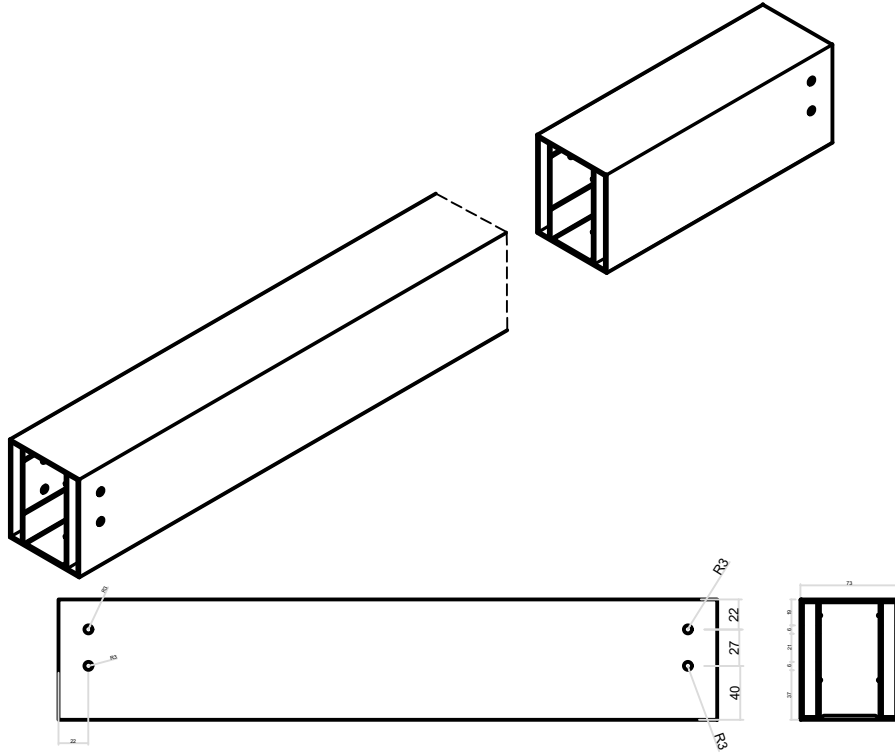
ACCURACY



HARMONY

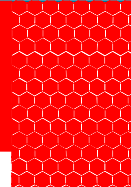


BALANCE



SRA150

MOTORIZED GLASS ROOF SYSTEM



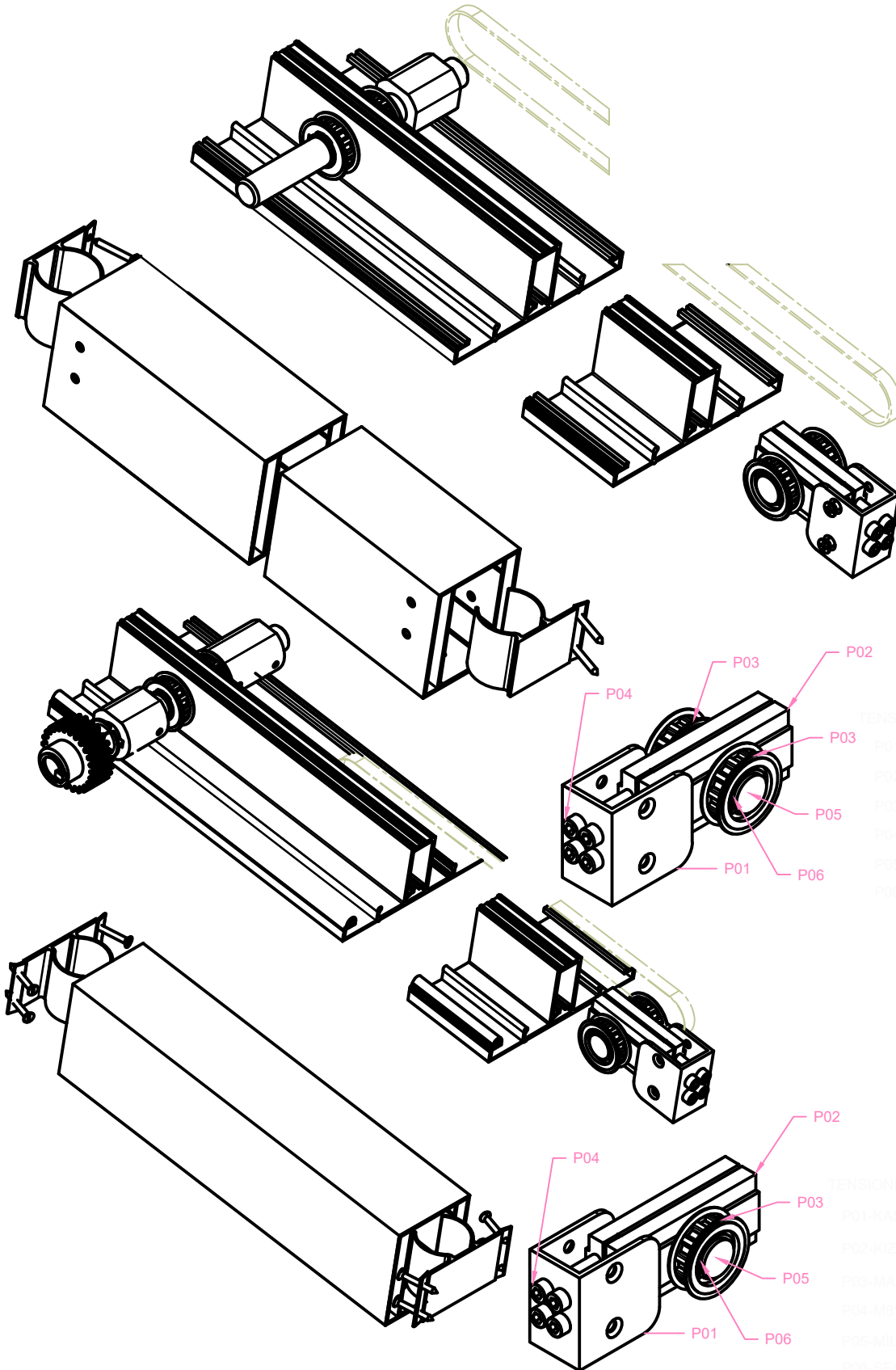
ACCURACY



HARMONY



BALANCE



TENSIONING PART MIDDLE

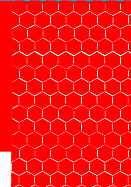
- P01-ASA
- P02-ASA
- P03-ASA
- P04-ASA
- P05-ASA
- P06-ASA

TENSIONING PART LEFT-RIGHT

- P01-ASA
- P02-ASA
- P03-ASA
- P04-ASA
- P05-ASA
- P06-ASA

SRA150

MOTORIZED GLASS ROOF SYSTEM



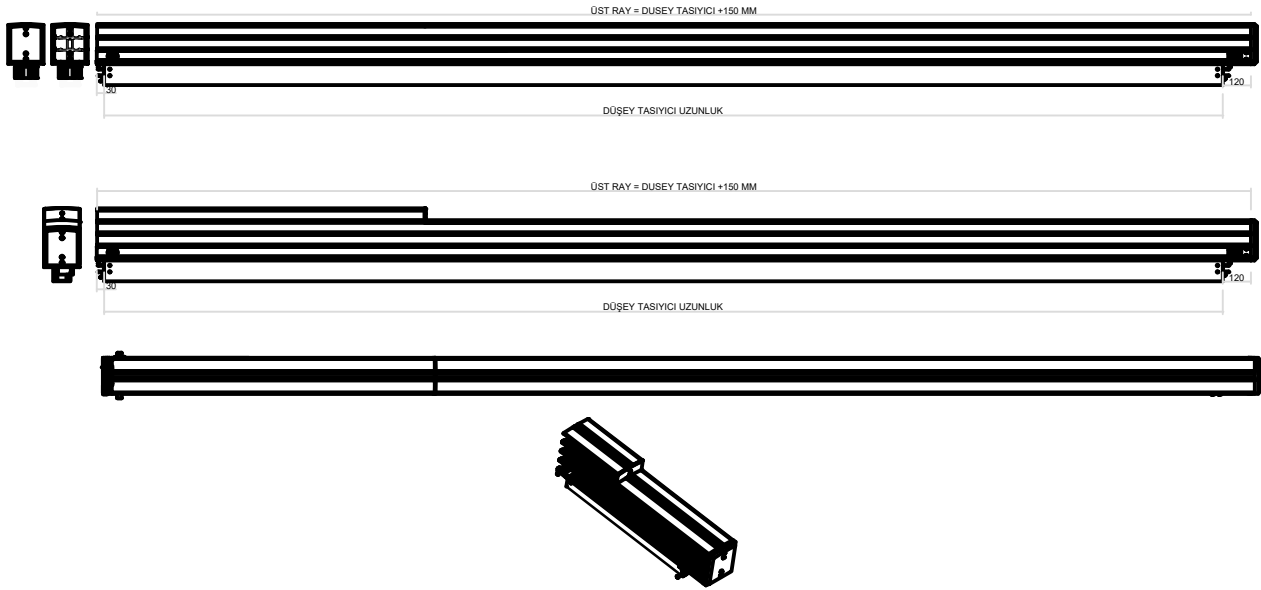
ACCURACY



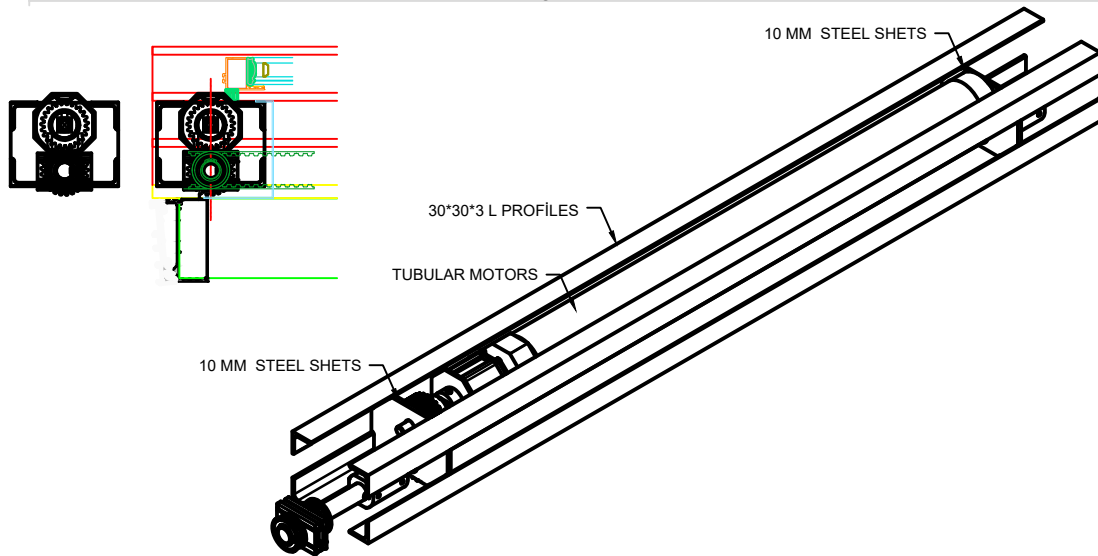
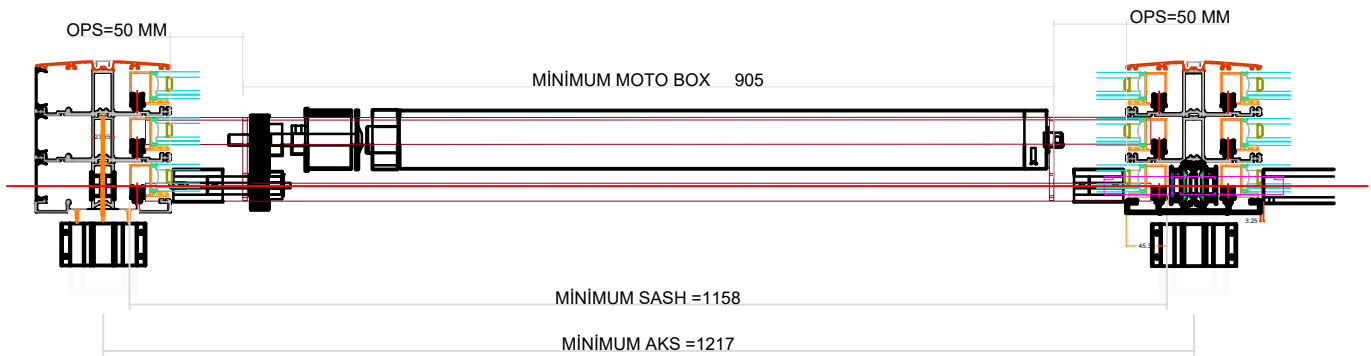
HARMONY



BALANCE



120 MM TUBULAR MOTOR DETAILS



SRA150

MOTORIZED GLASS ROOF SYSTEM



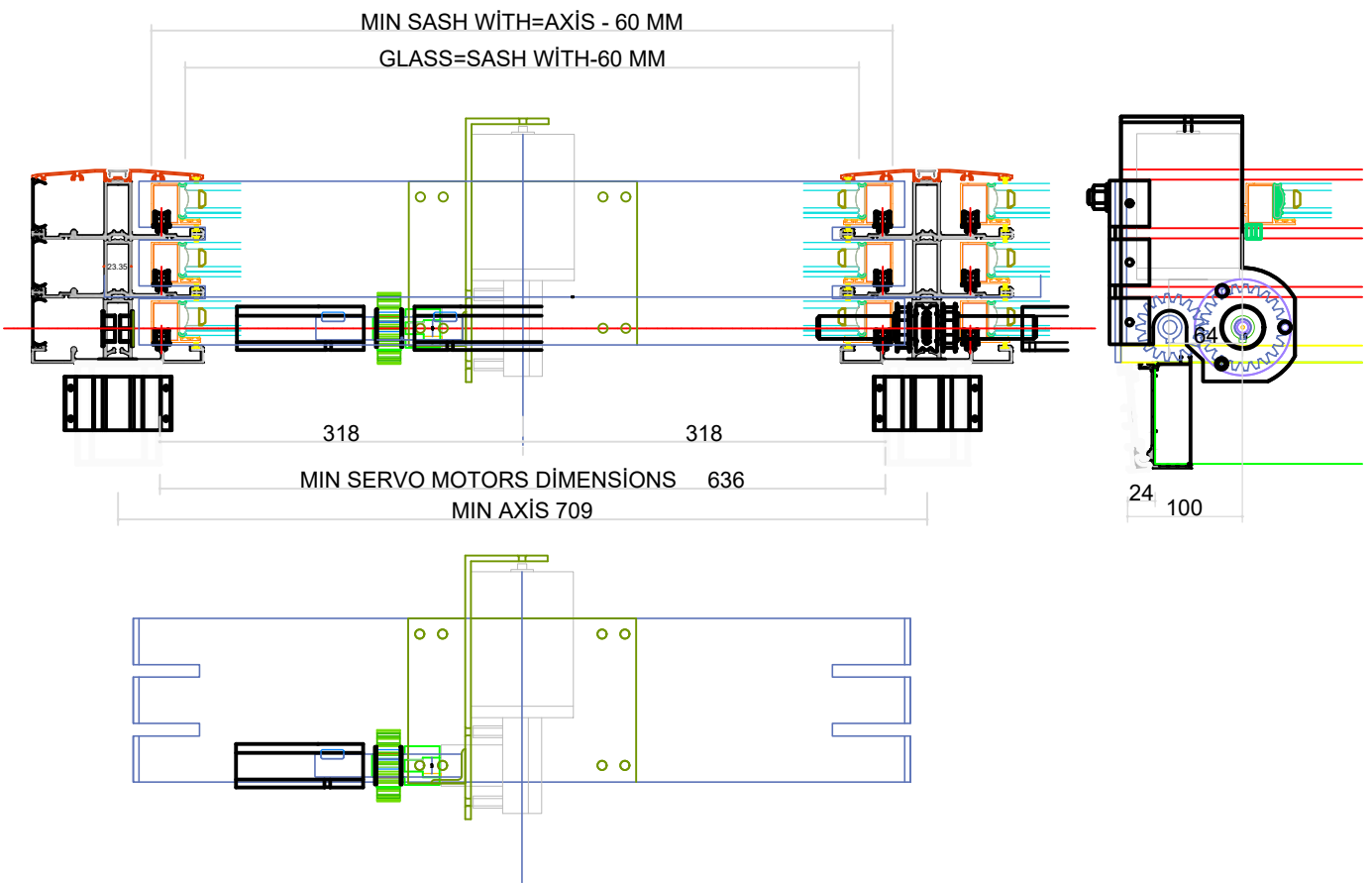
ACCURACY



HARMONY

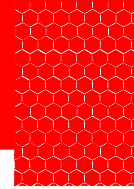


BALANCE



SRA150

MOTORIZED GLASS ROOF SYSTEM



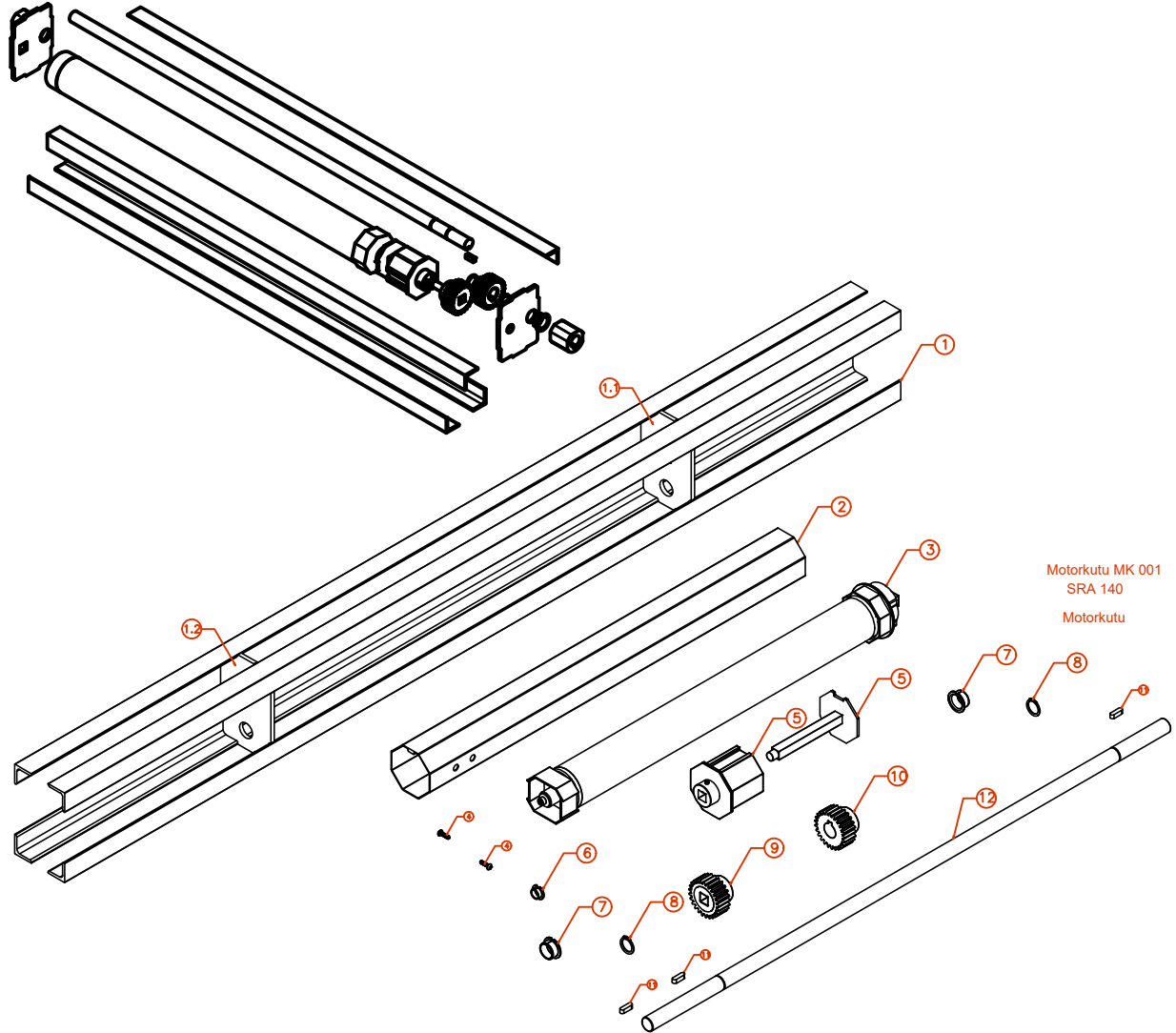
ACCURACY



HARMONY



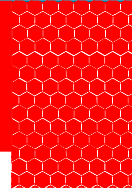
BALANCE



Poz	İsim	Adet	Malzeme	Stok No
1	Köşe bent 30x30x3mm 1.5m	4	Demir el. statik boya	1609401
1.1	Motor Yan kapak saç kare	1	Demir el. statik boya	9516910
1.2	Motor Yan kapak saç	1	Demir el. statik boya	9516911
2	70lık Galvanize Boru	1	1.3mm Gal. Saç 670mm	9512106
3	BECKER Panjurmotor	1	120 N/m 11 rpm	9501004
4	Matkap uçlu vida YSB 4.2x19mm	2	Çelik galvanize	1501129
5	Aks ayarlı Boru başı	1	Çelik galvanize	9516103
6	Burç 12x7mm	1	Bronz	9507103
7	Burç 20x11.5mm	2	Bronz	9507101
8	DIN 471A 20x1.2mm A2 Mil segmanı 20mm	2	İnox	9516308
9	Kare dişli M2 / 25	1	Alüminyum	9506504
10	20lık dişli M2 / 25	1	Alüminyum	9506503
11	Kama 20x6mm	3	İnox	9501303
12	MİL 20x80 mm	1	ÇELİK	9516912

SRA150

MOTORIZED GLASS ROOF SYSTEM



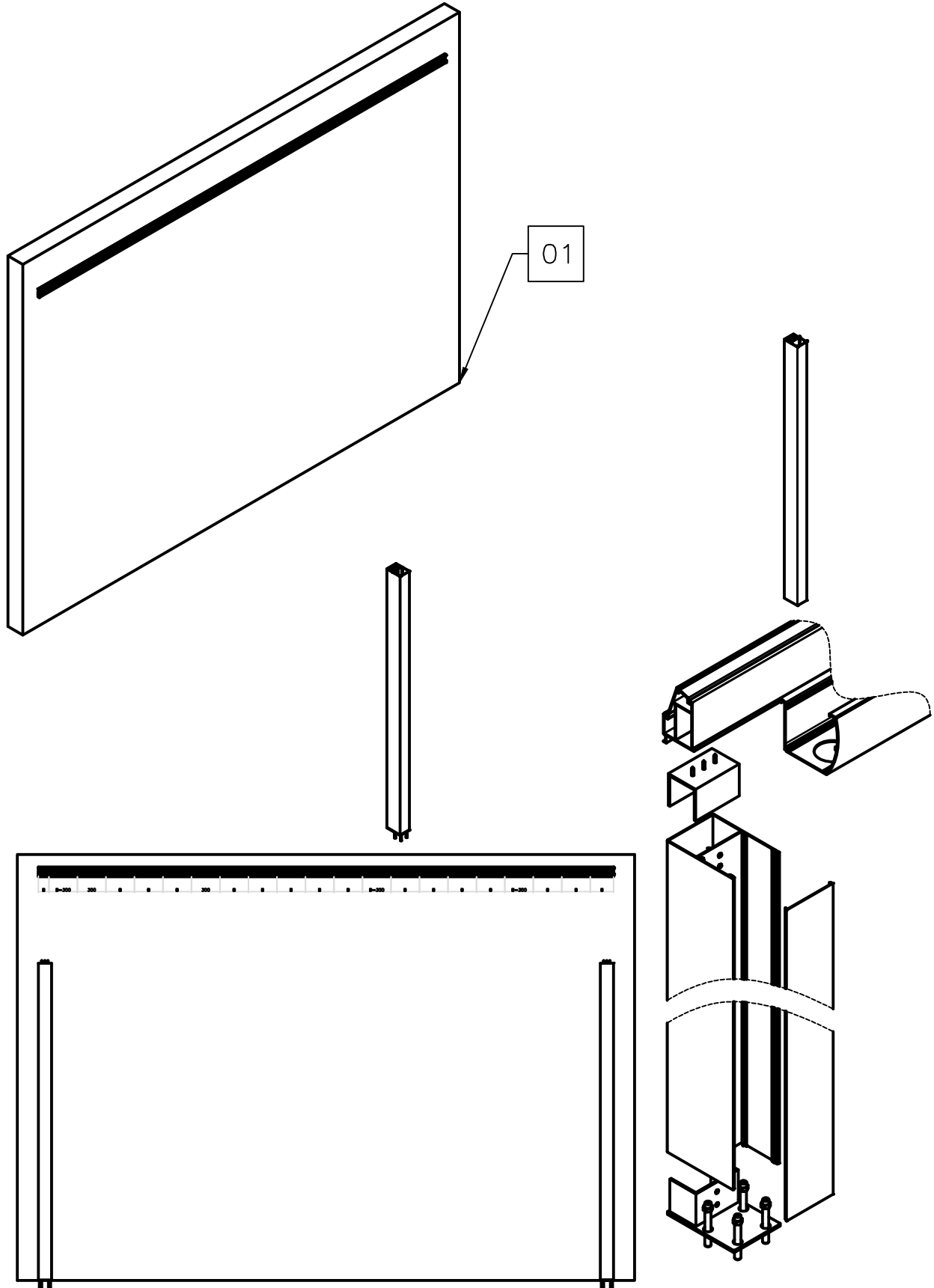
ACCURACY



HARMONY



BALANCE



SRA150

MOTORIZED GLASS ROOF SYSTEM



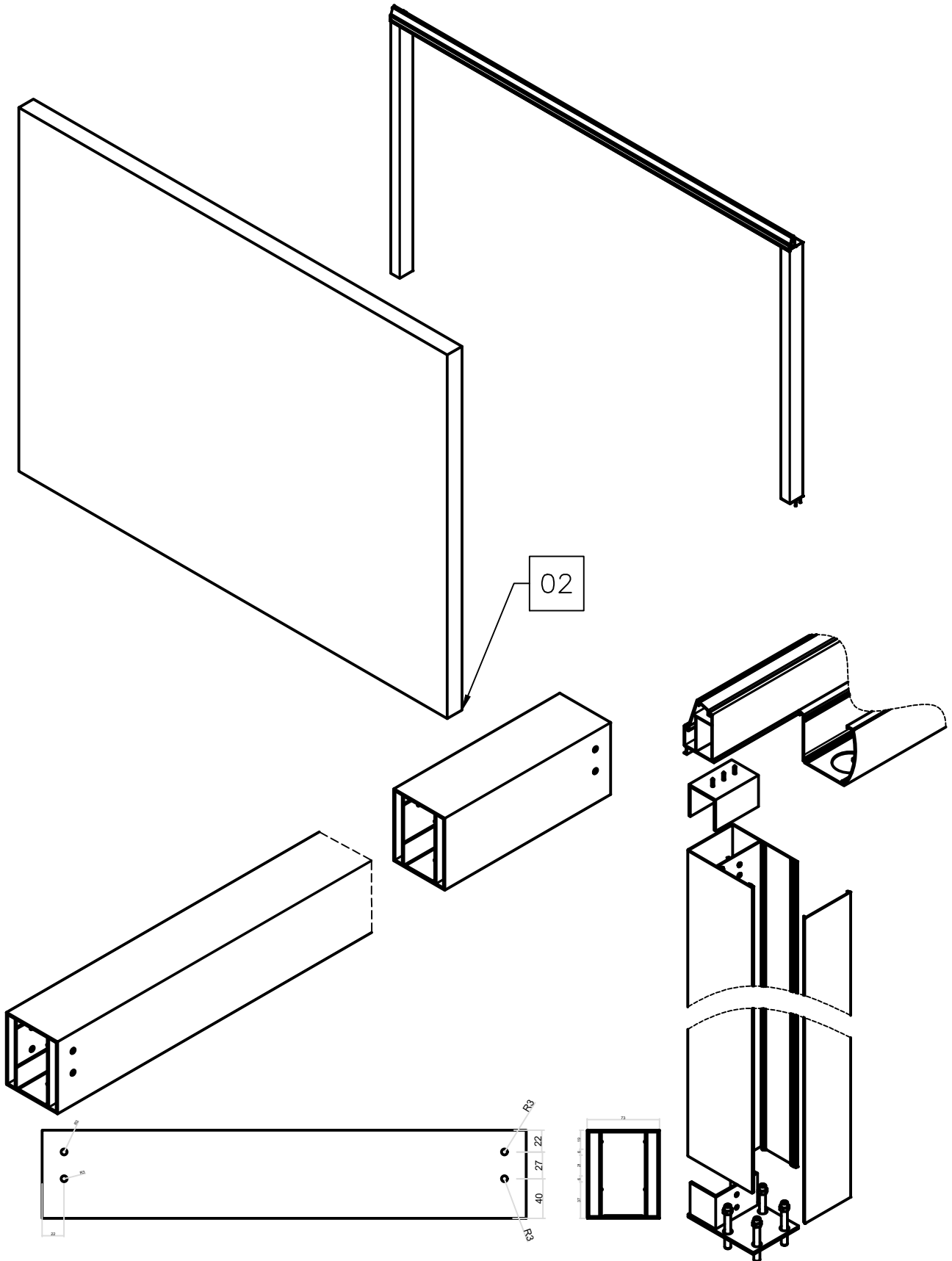
ACCURACY



HARMONY

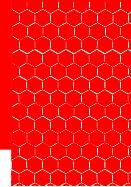


BALANCE



SRA150

MOTORIZED GLASS ROOF SYSTEM



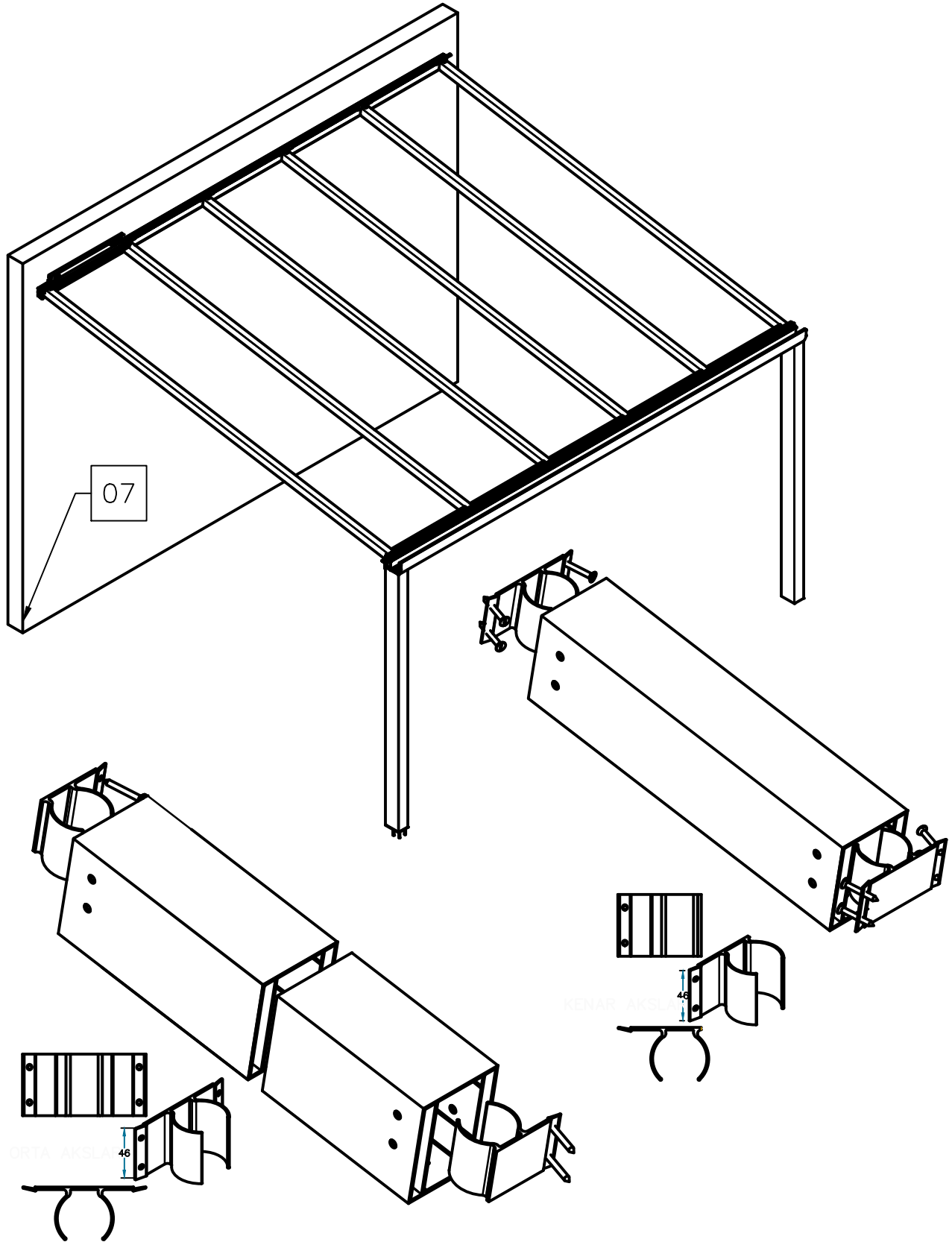
ACCURACY



HARMONY

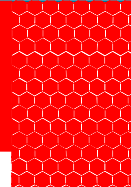


BALANCE



SRA150

MOTORIZED GLASS ROOF SYSTEM



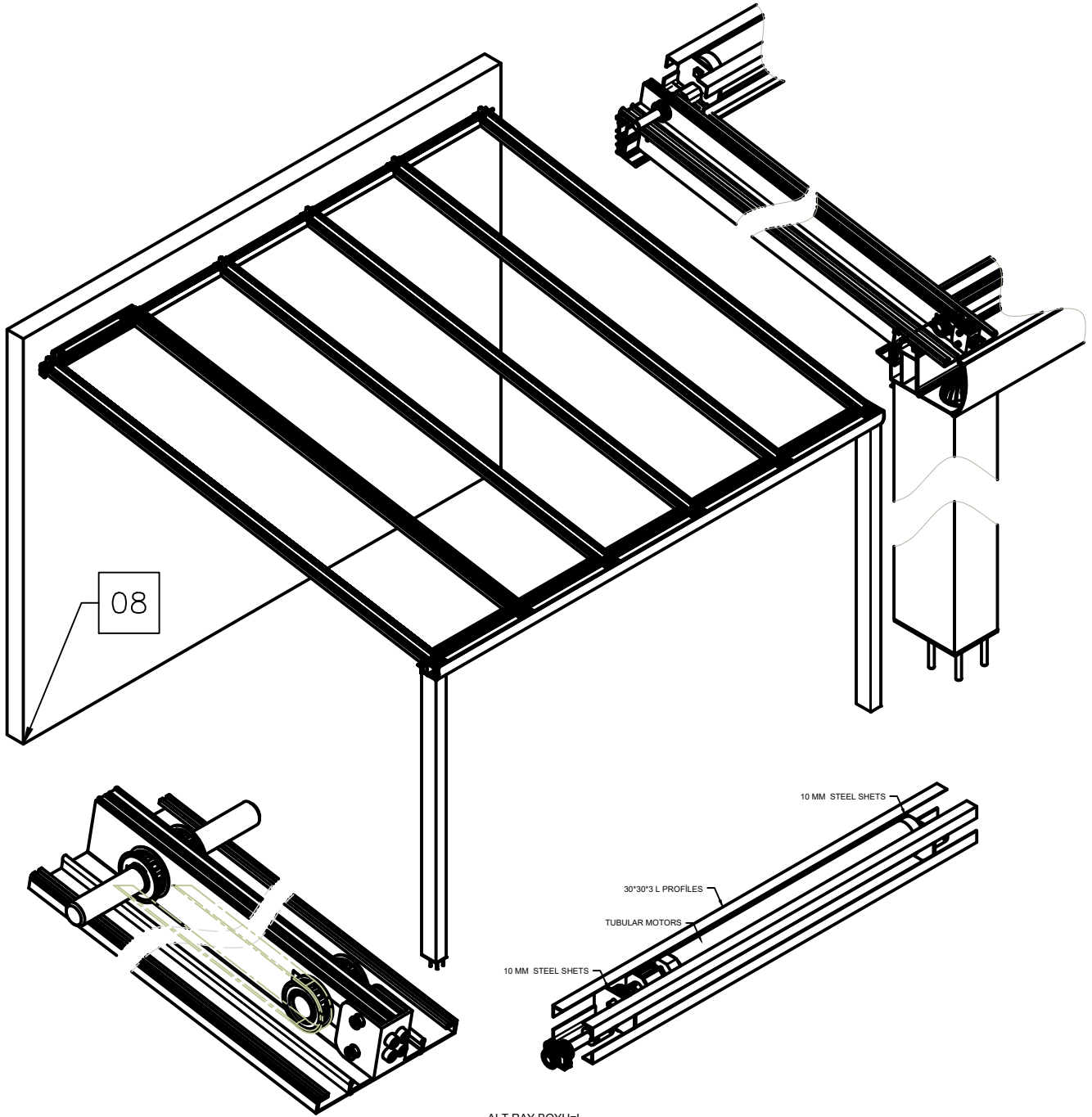
ACCURACY



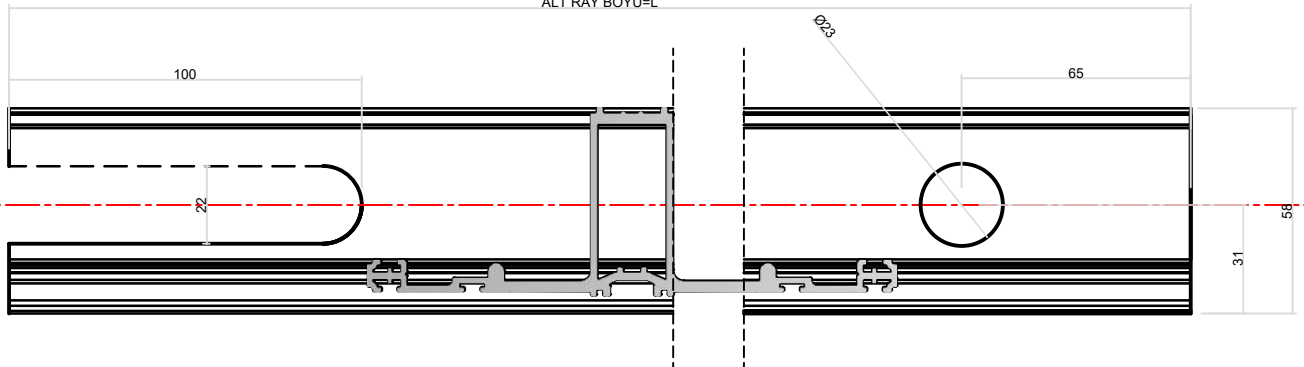
HARMONY



BALANCE



ALT RAY BOYU=L



SRA150

MOTORIZED GLASS ROOF SYSTEM



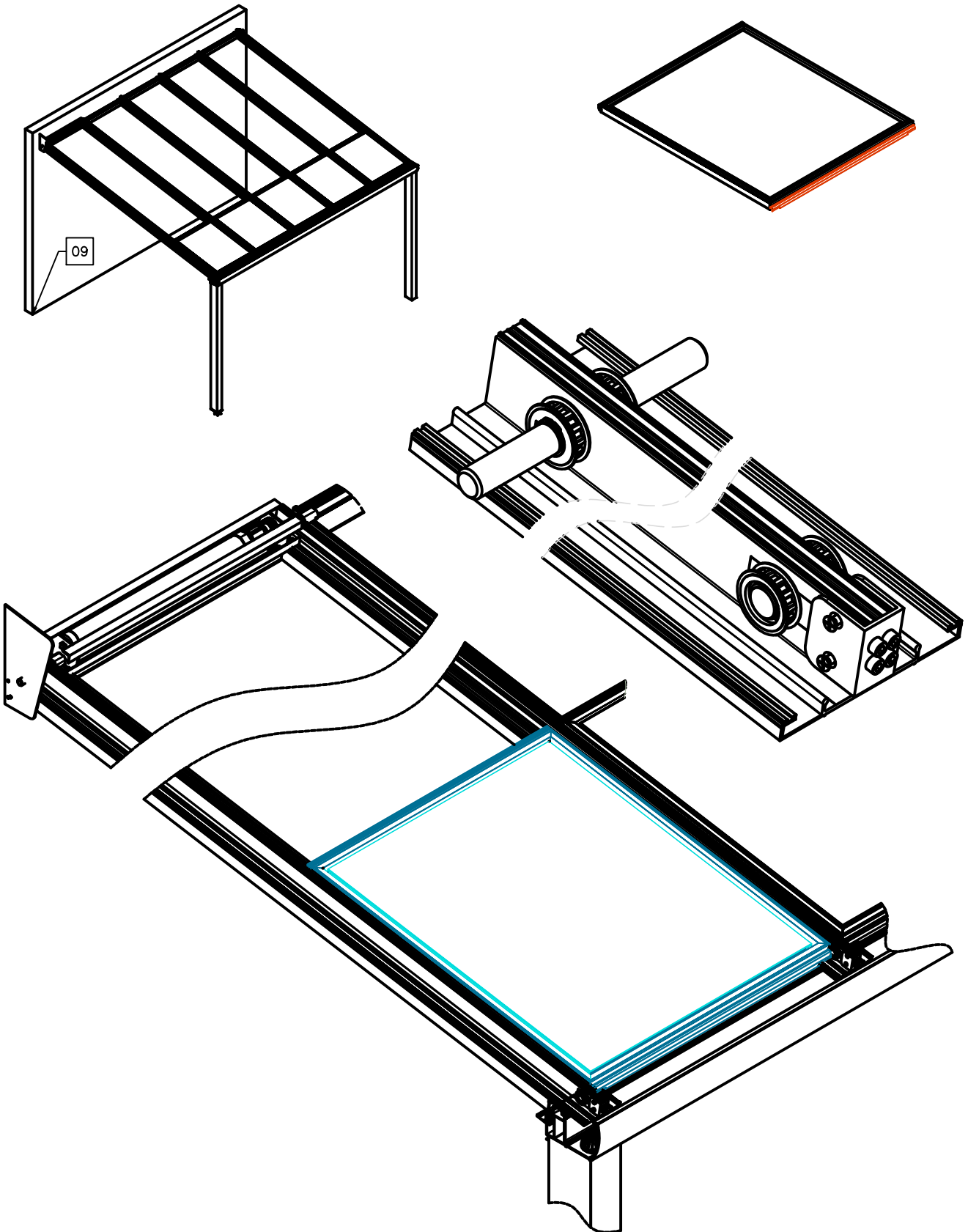
ACCURACY



HARMONY

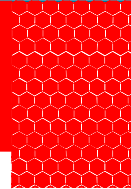


BALANCE



SRA150

MOTORIZED GLASS ROOF SYSTEM



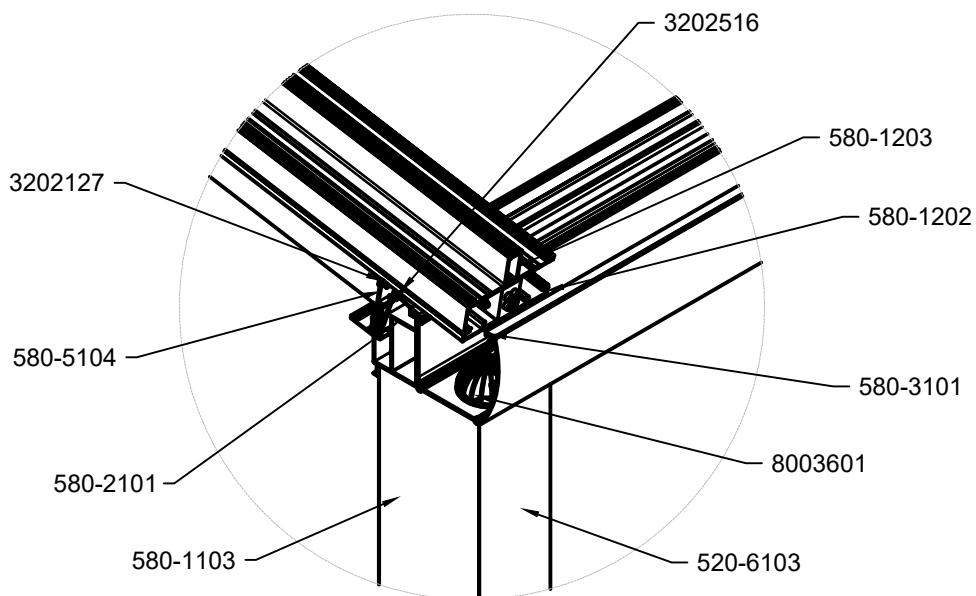
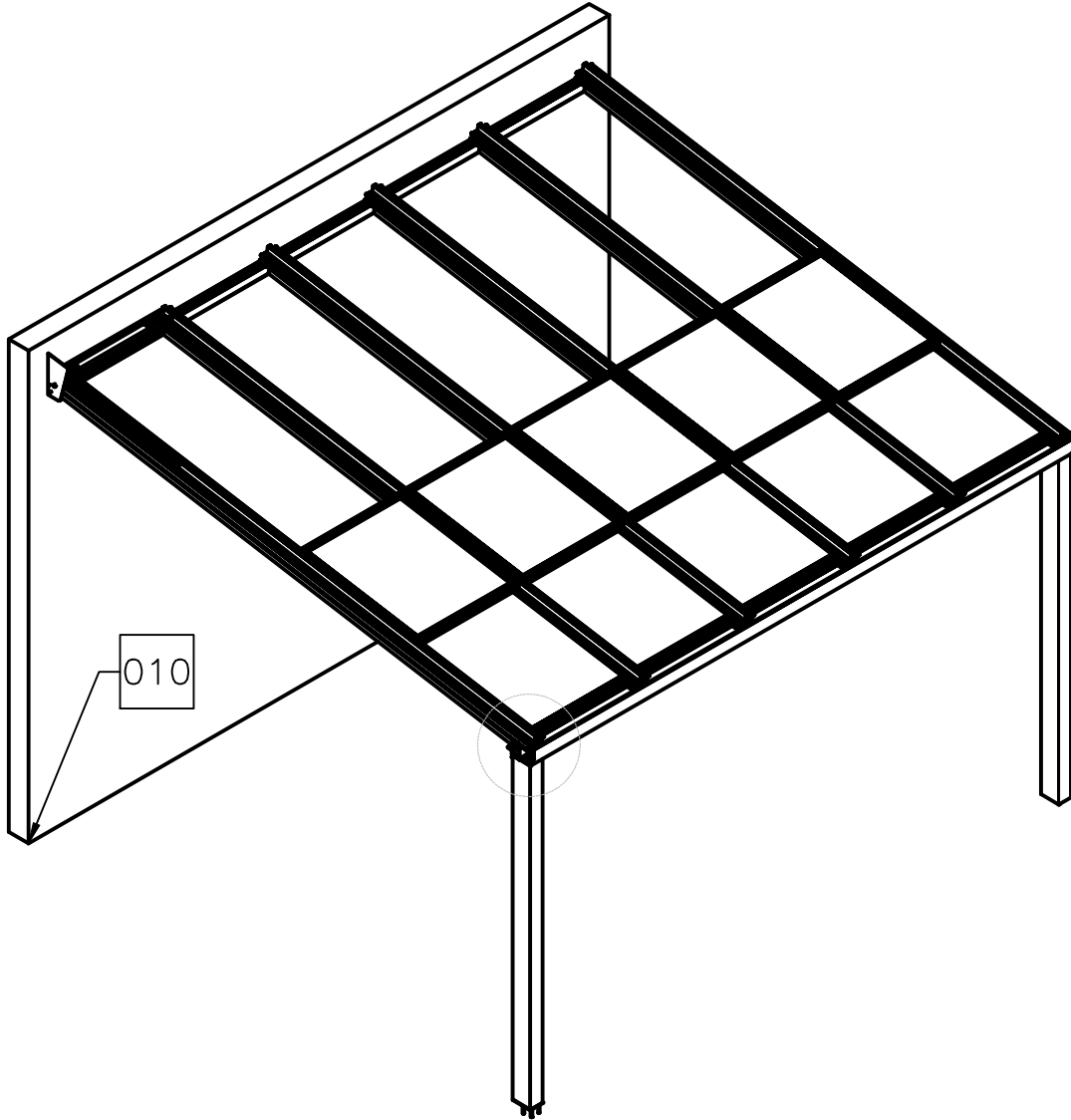
ACCURACY



HARMONY



BALANCE



SRA150

MOTORIZED GLASS ROOF SYSTEM



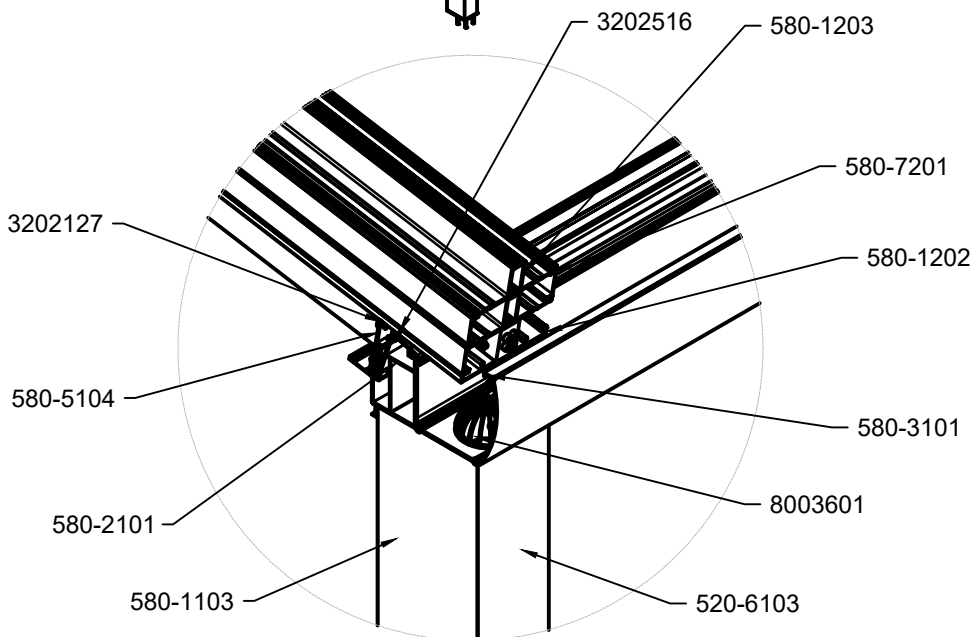
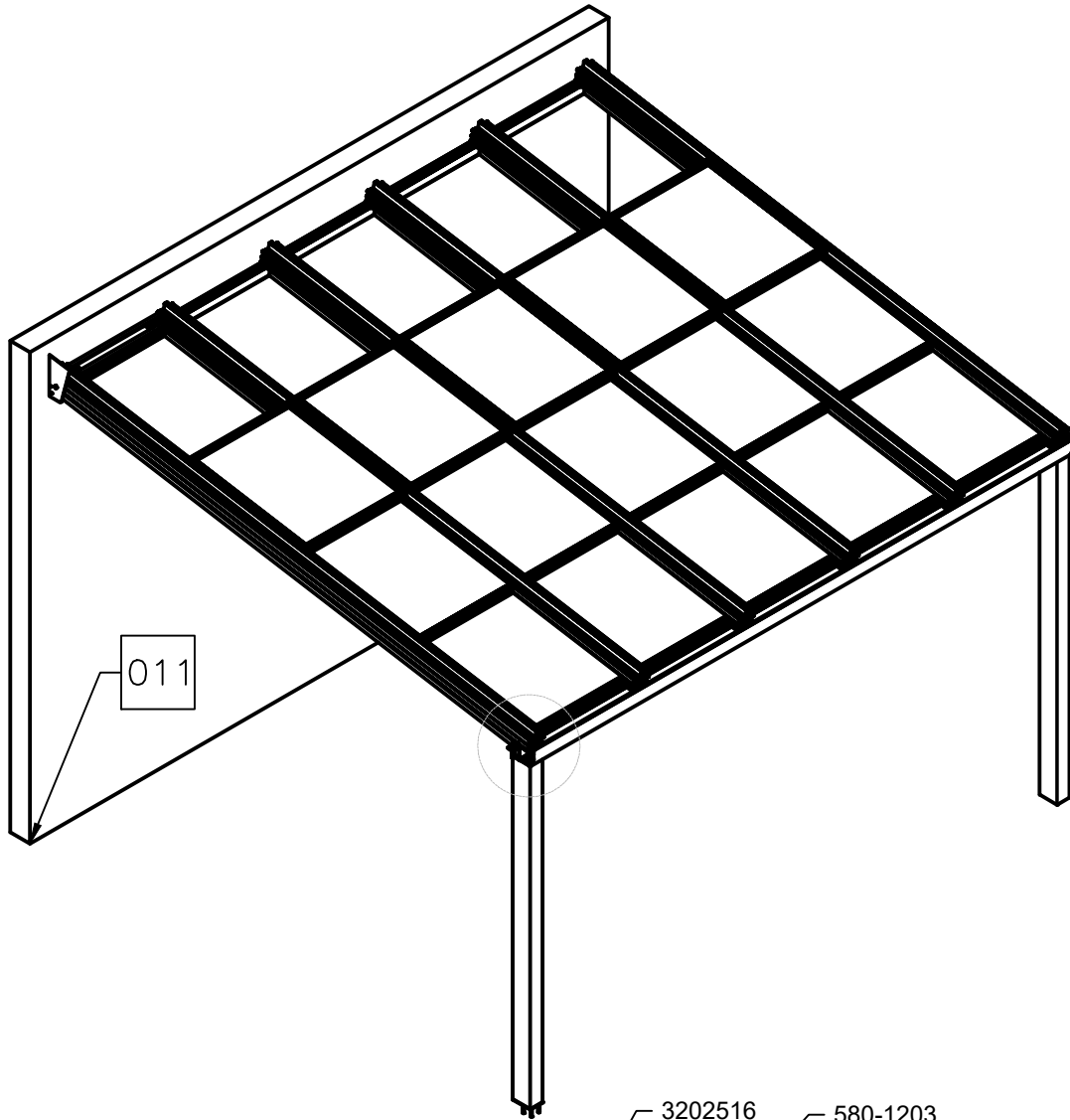
ACCURACY



HARMONY



BALANCE



SRA150

MOTORIZED GLASS ROOF SYSTEM



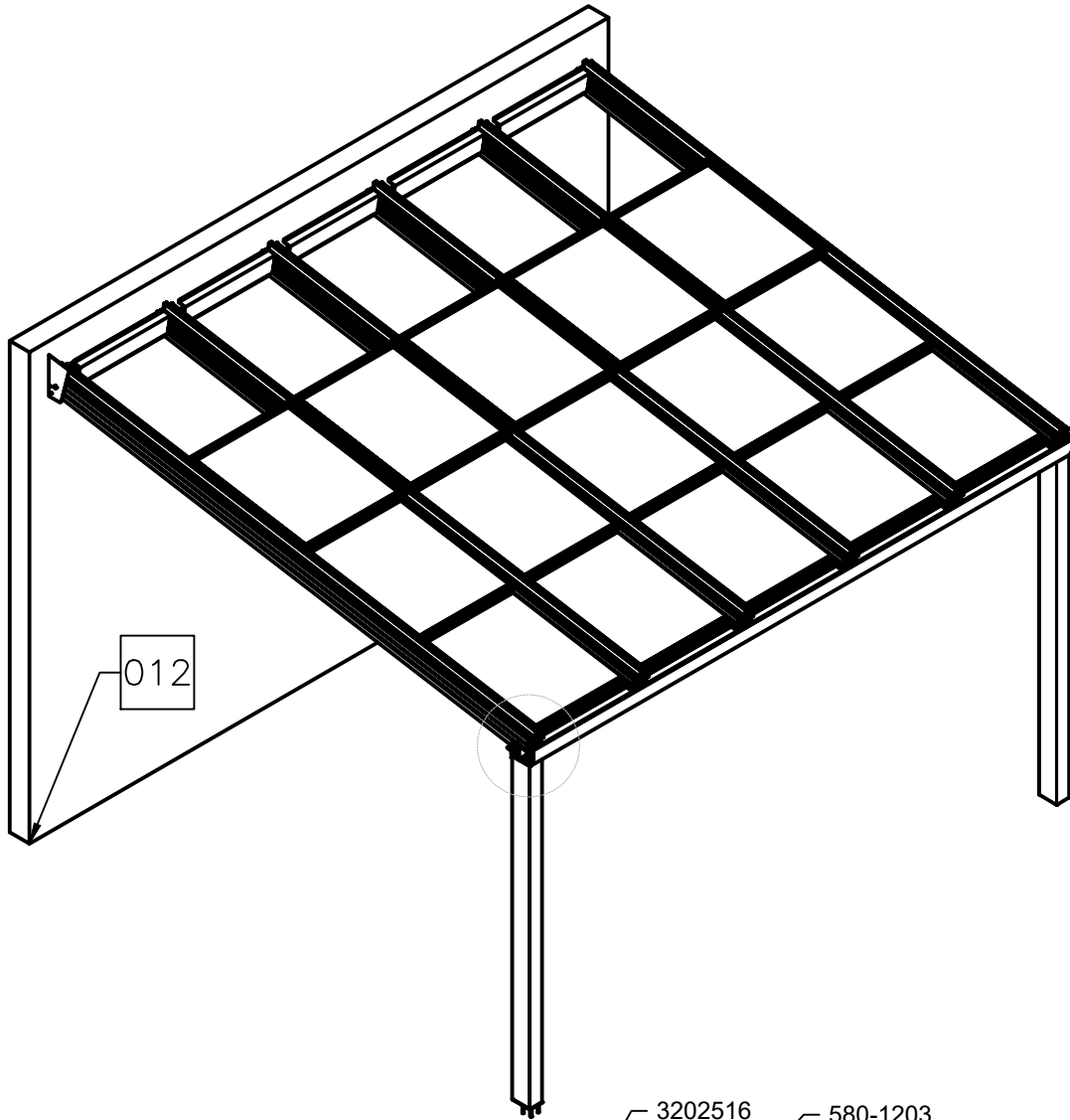
ACCURACY



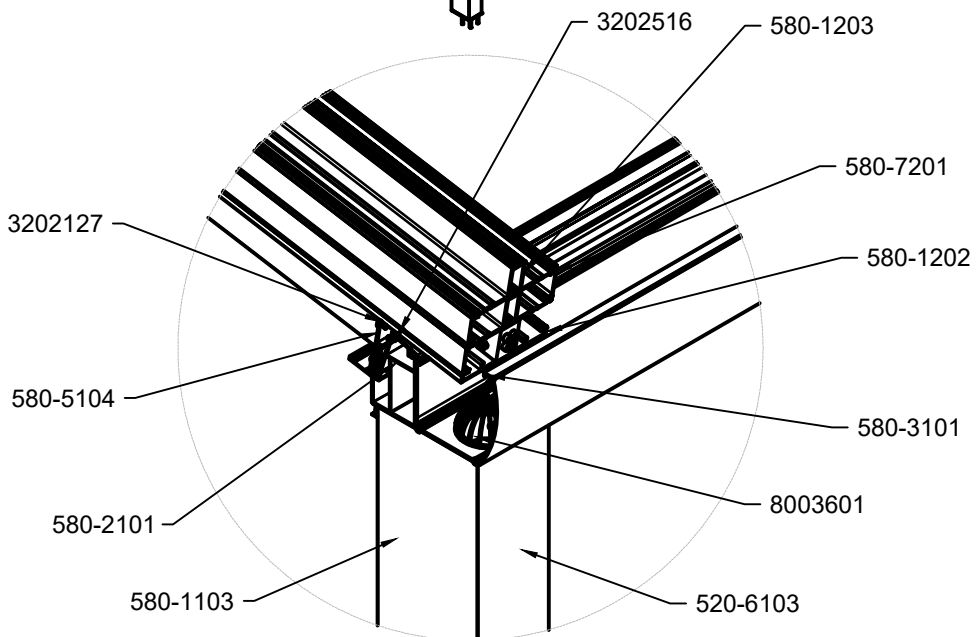
HARMONY



BALANCE



012



SRA150

MOTORIZED GLASS ROOF SYSTEM



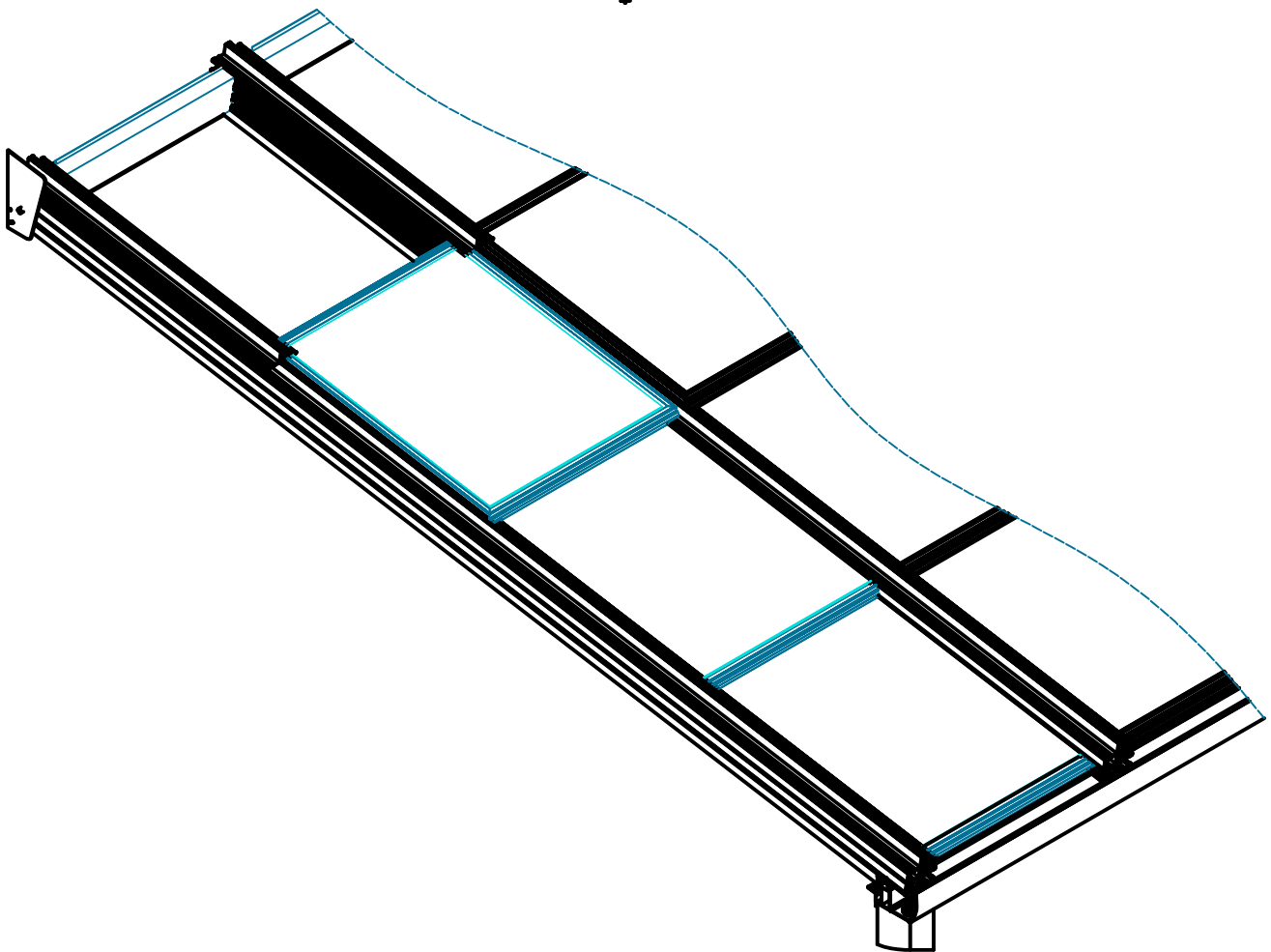
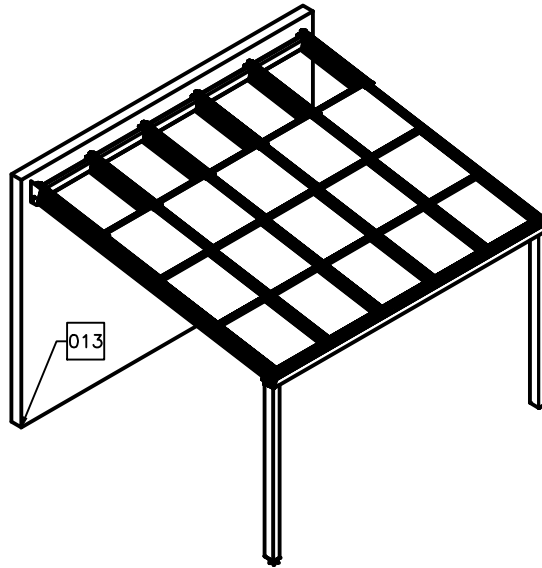
ACCURACY



HARMONY



BALANCE



SRA150

MOTORIZED GLASS ROOF SYSTEM



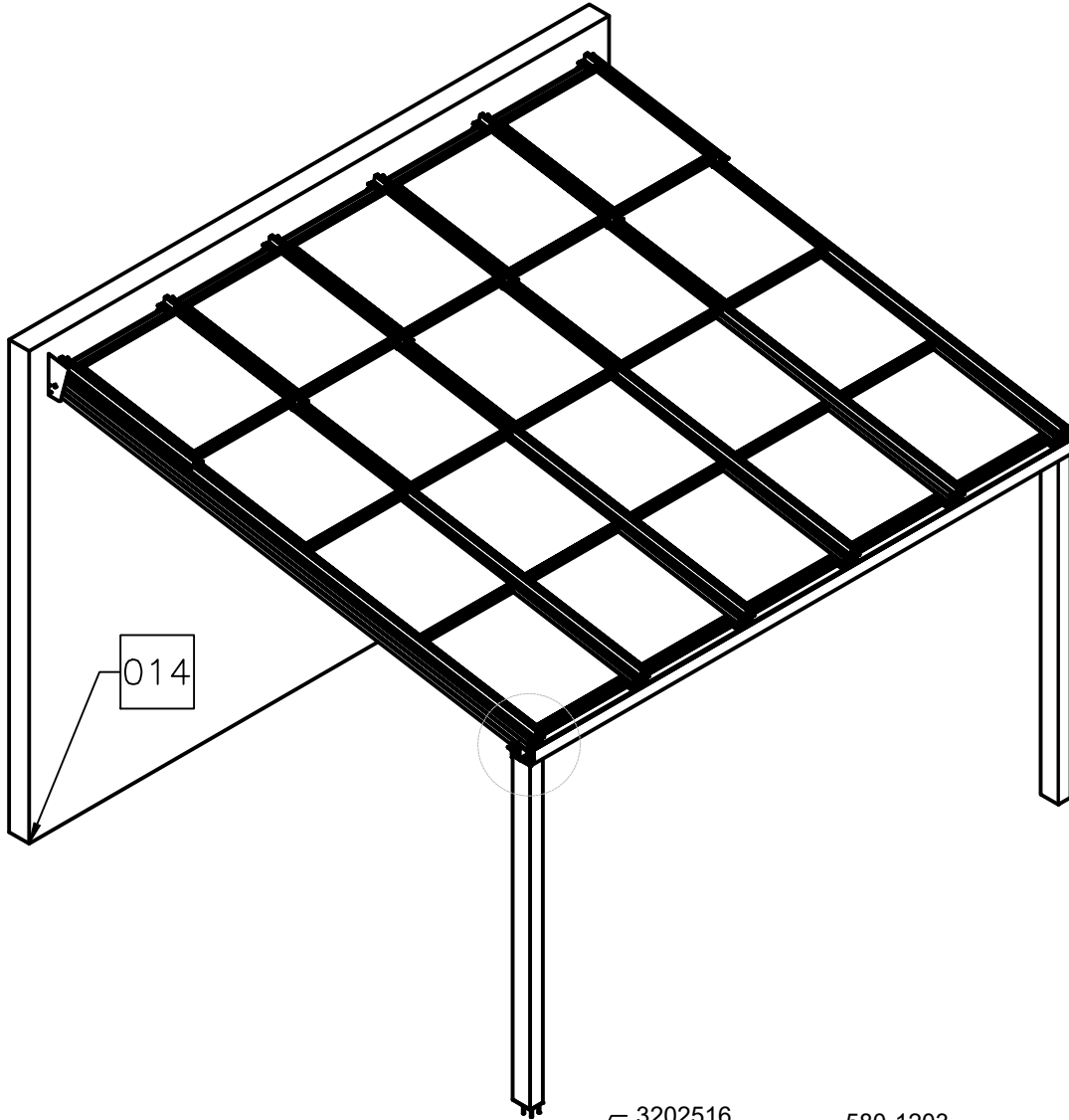
ACCURACY



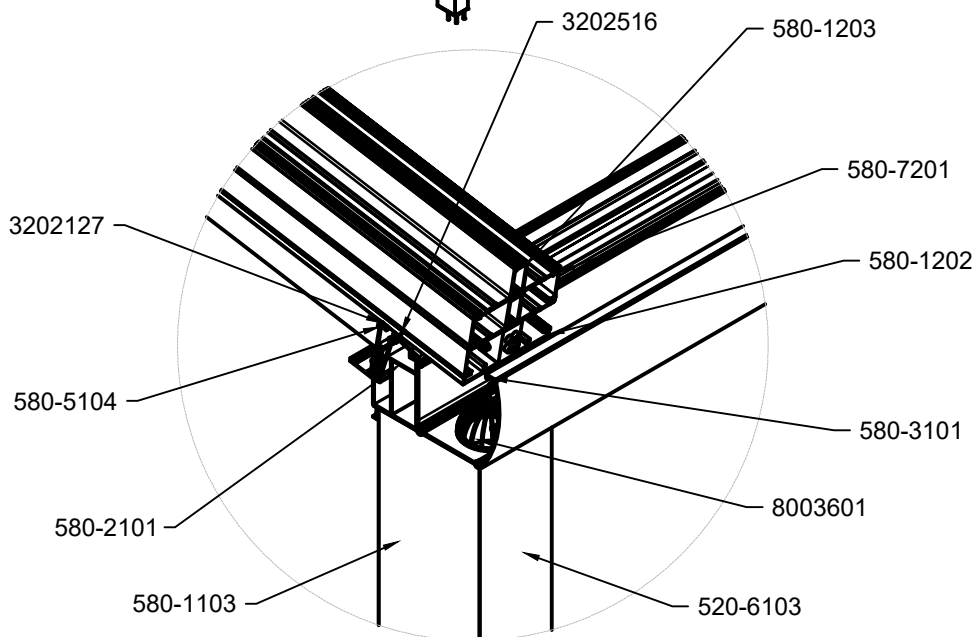
HARMONY



BALANCE



014



SRA150

MOTORIZED GLASS ROOF SYSTEM



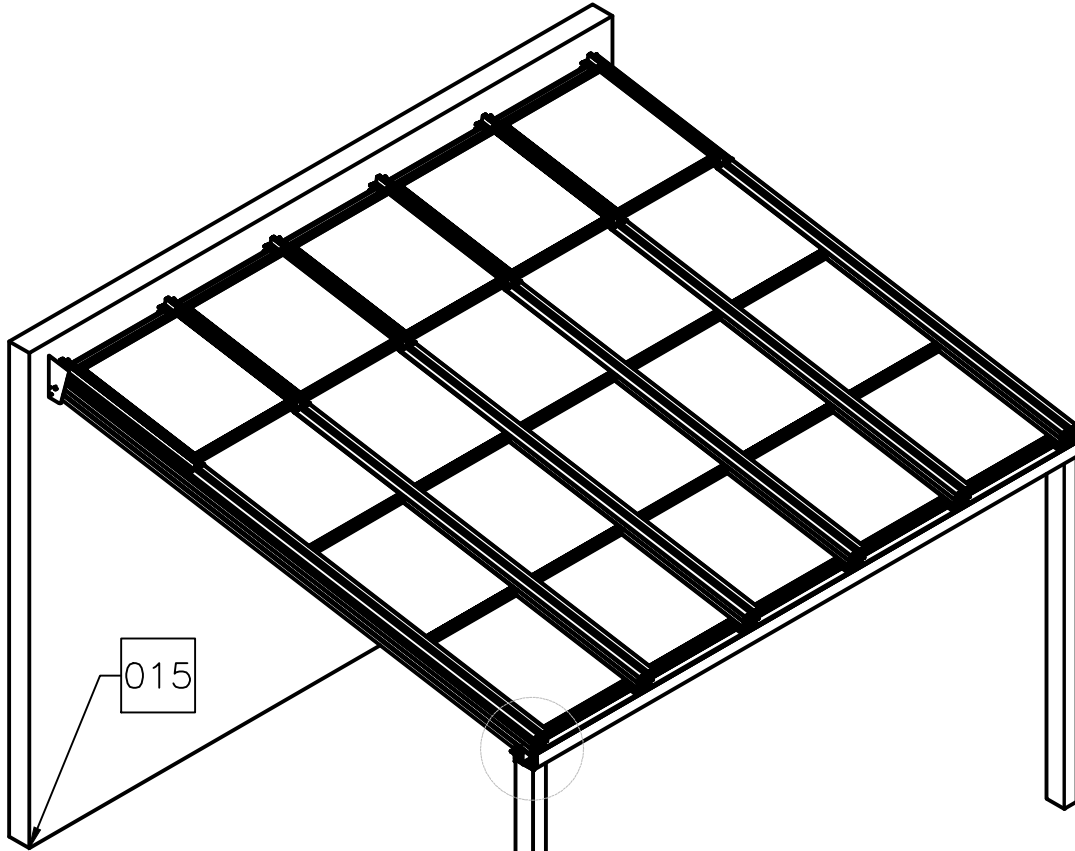
ACCURACY



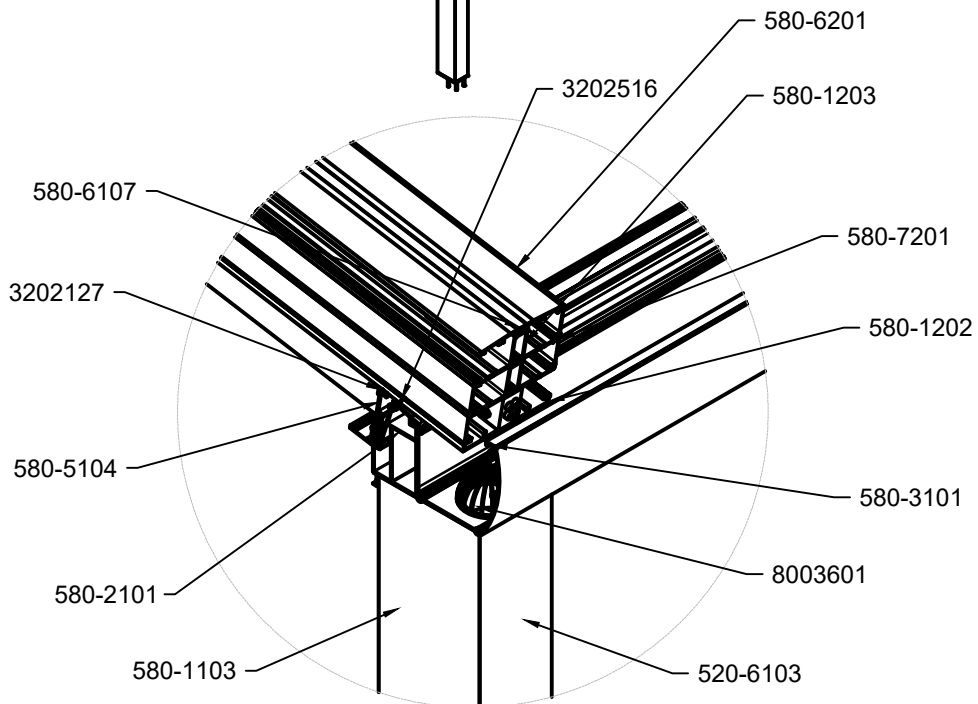
HARMONY



BALANCE



015



SRA150

MOTORIZED GLASS ROOF SYSTEM



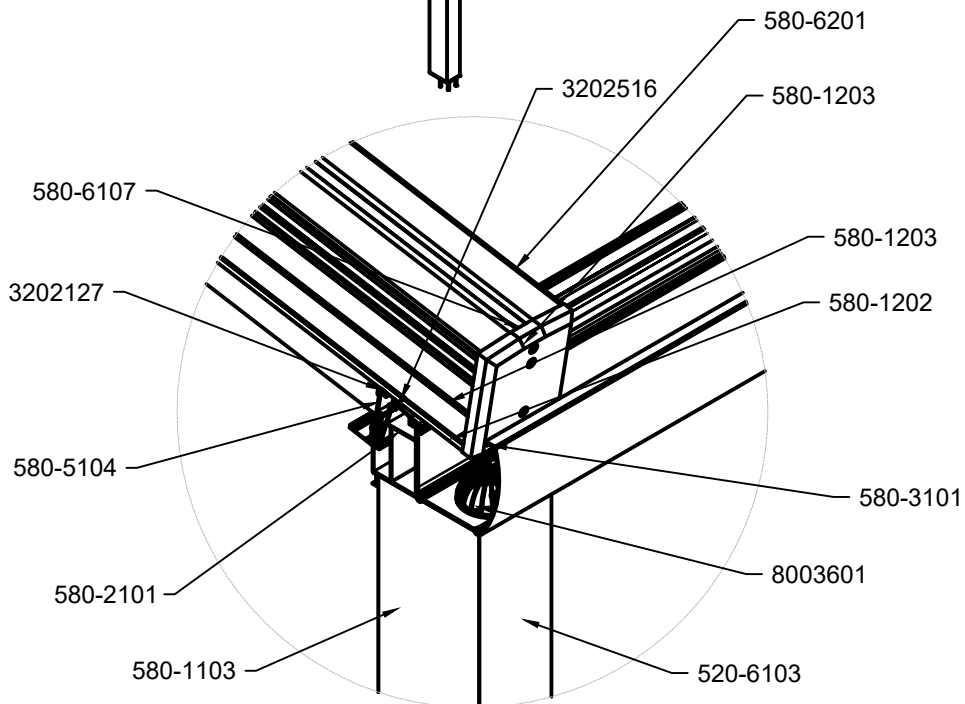
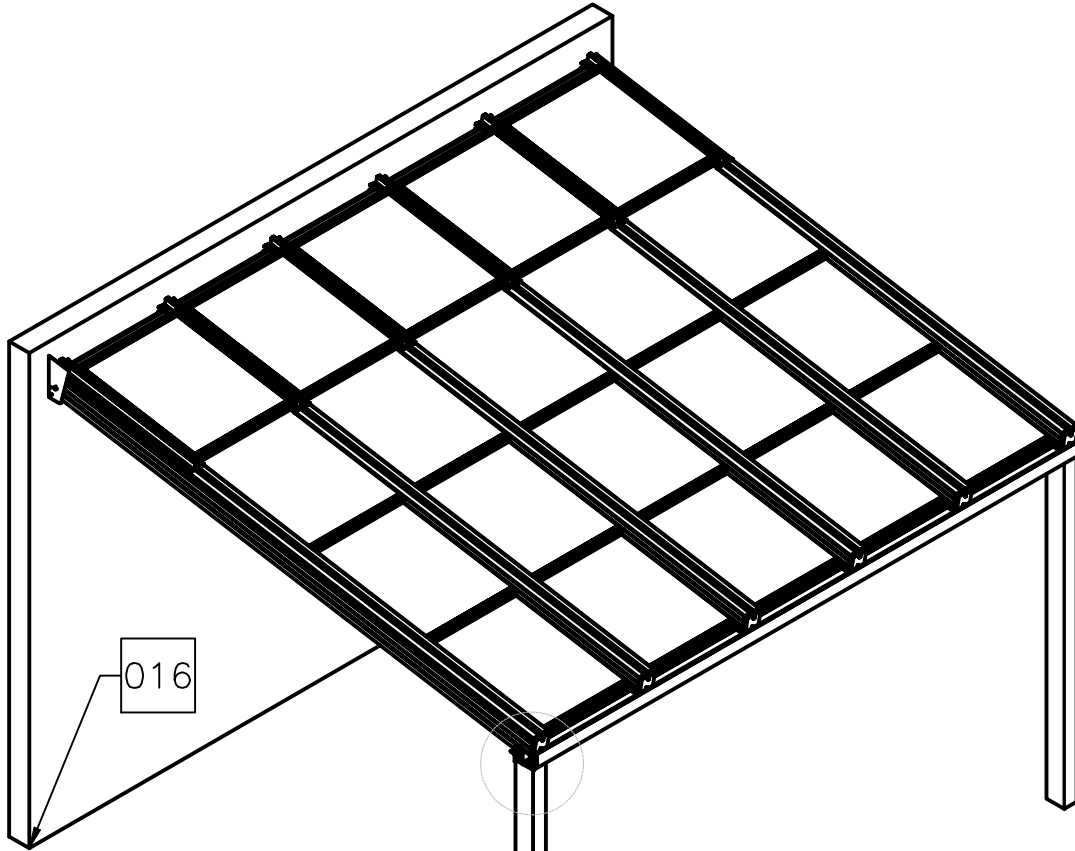
ACCURACY



HARMONY



BALANCE



SRA150

MOTORIZED GLASS ROOF SYSTEM



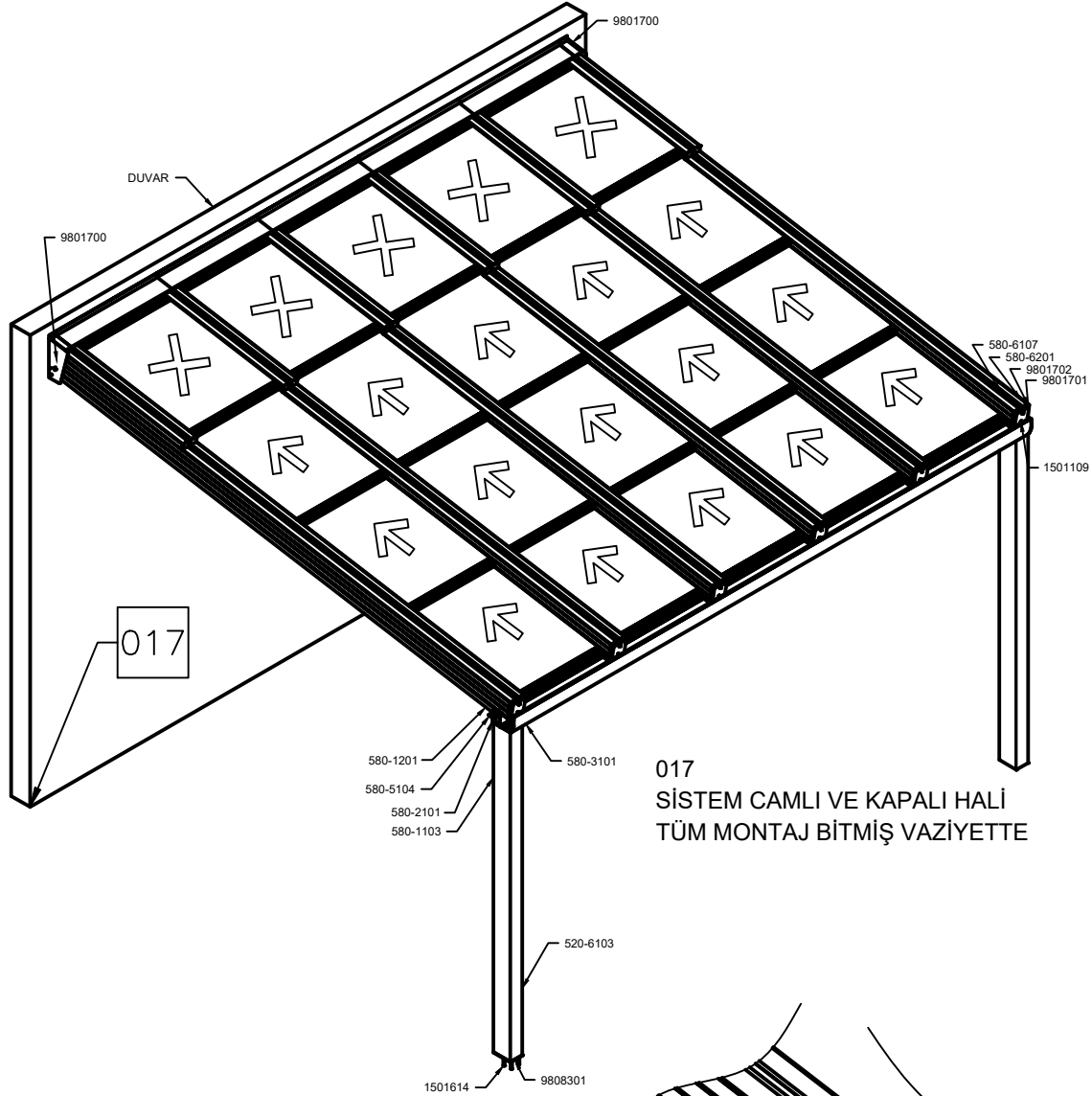
ACCURACY



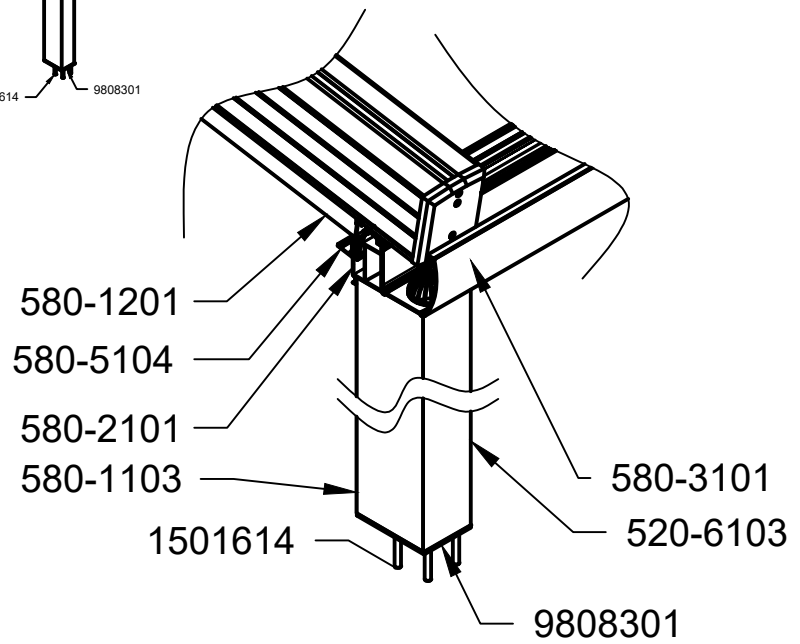
HARMONY



BALANCE



017
SİSTEM CAMLI VE KAPALI HALİ
TÜM MONTAJ BİTMİŞ VAZİYETTE



SRA150

MOTORIZED GLASS ROOF SYSTEM



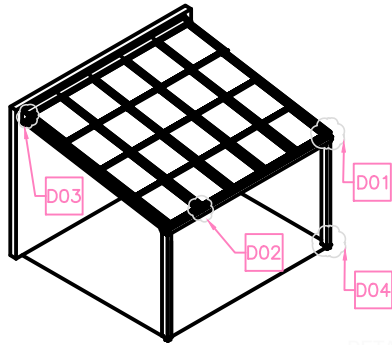
ACCURACY



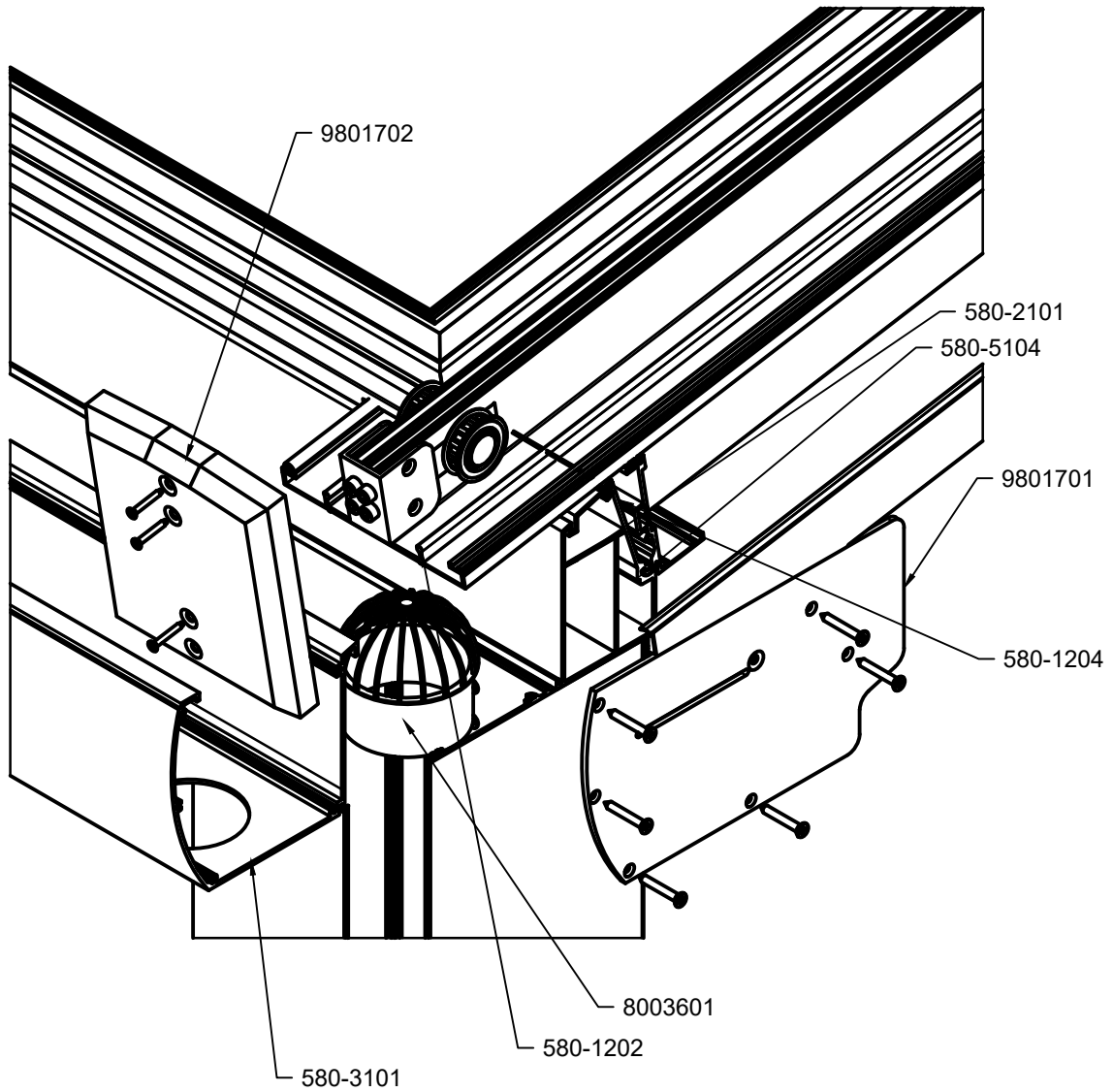
HARMONY



BALANCE

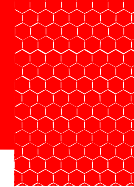


DETAIL BY
SAG KÖSE DETAYLAR



SRA150

MOTORIZED GLASS ROOF SYSTEM



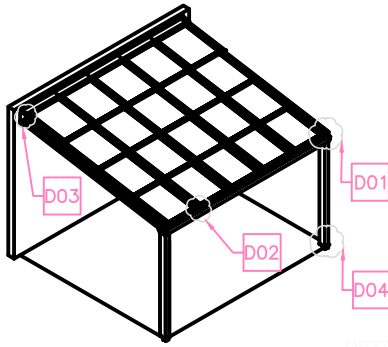
ACCURACY



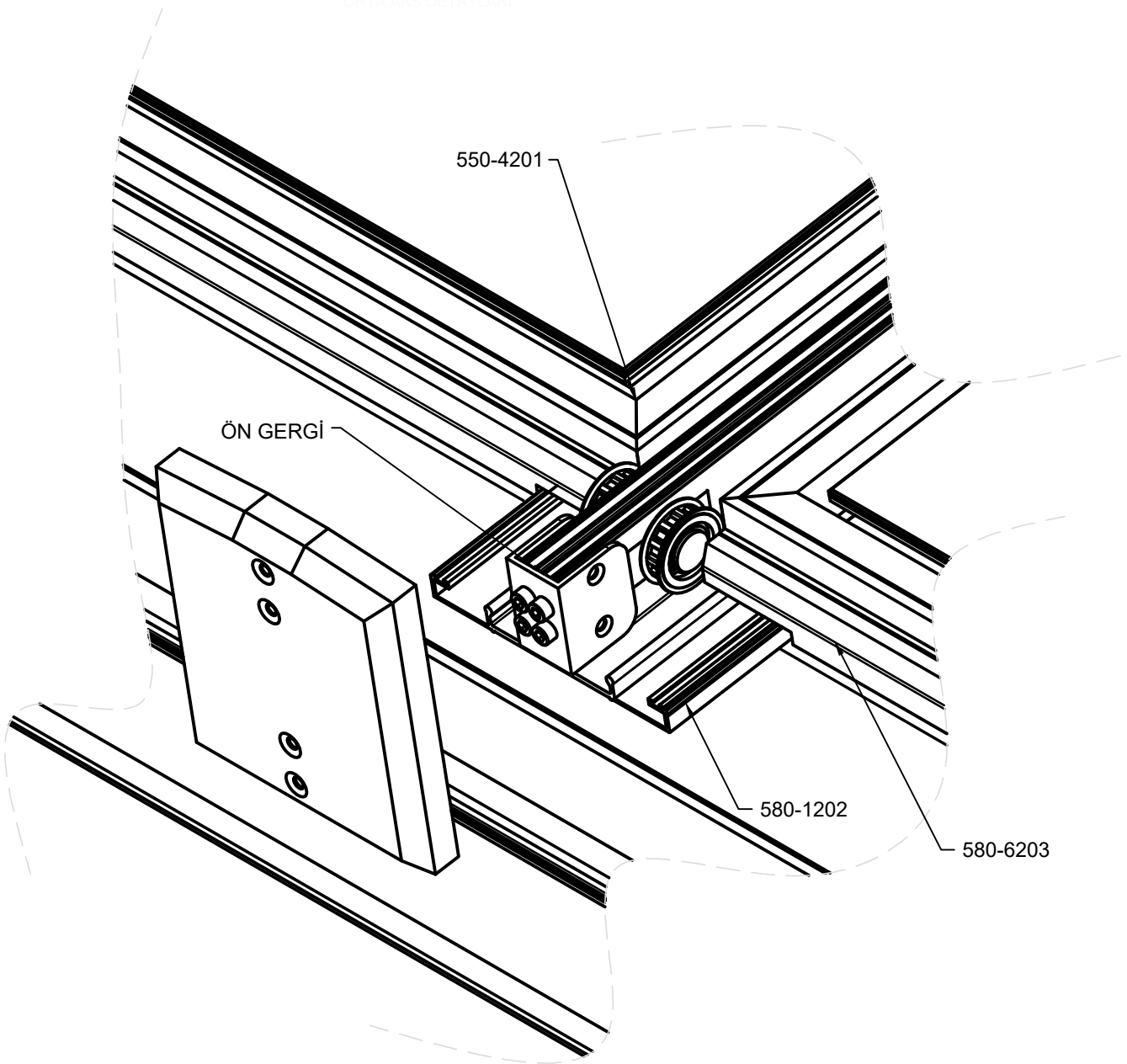
HARMONY



BALANCE



DETAY VE
ORTA AKS DETAYLARI



SRA150

MOTORIZED GLASS ROOF SYSTEM



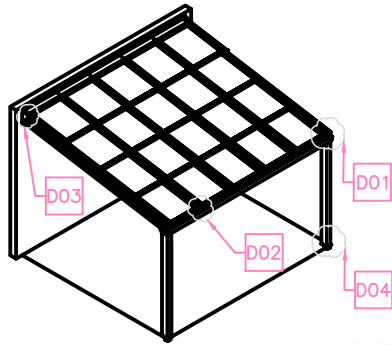
ACCURACY



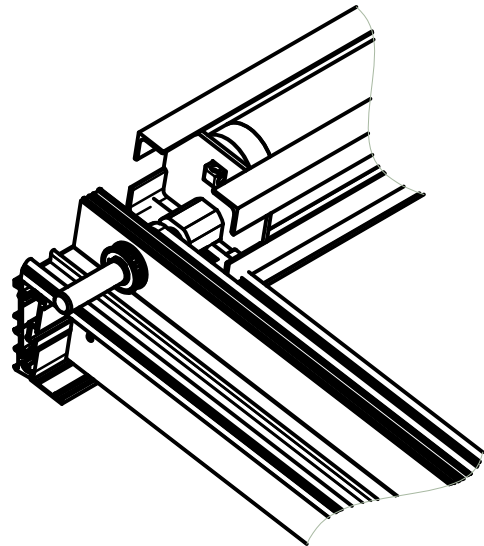
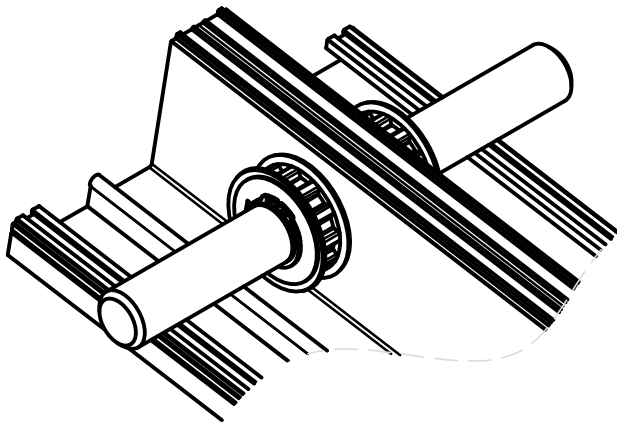
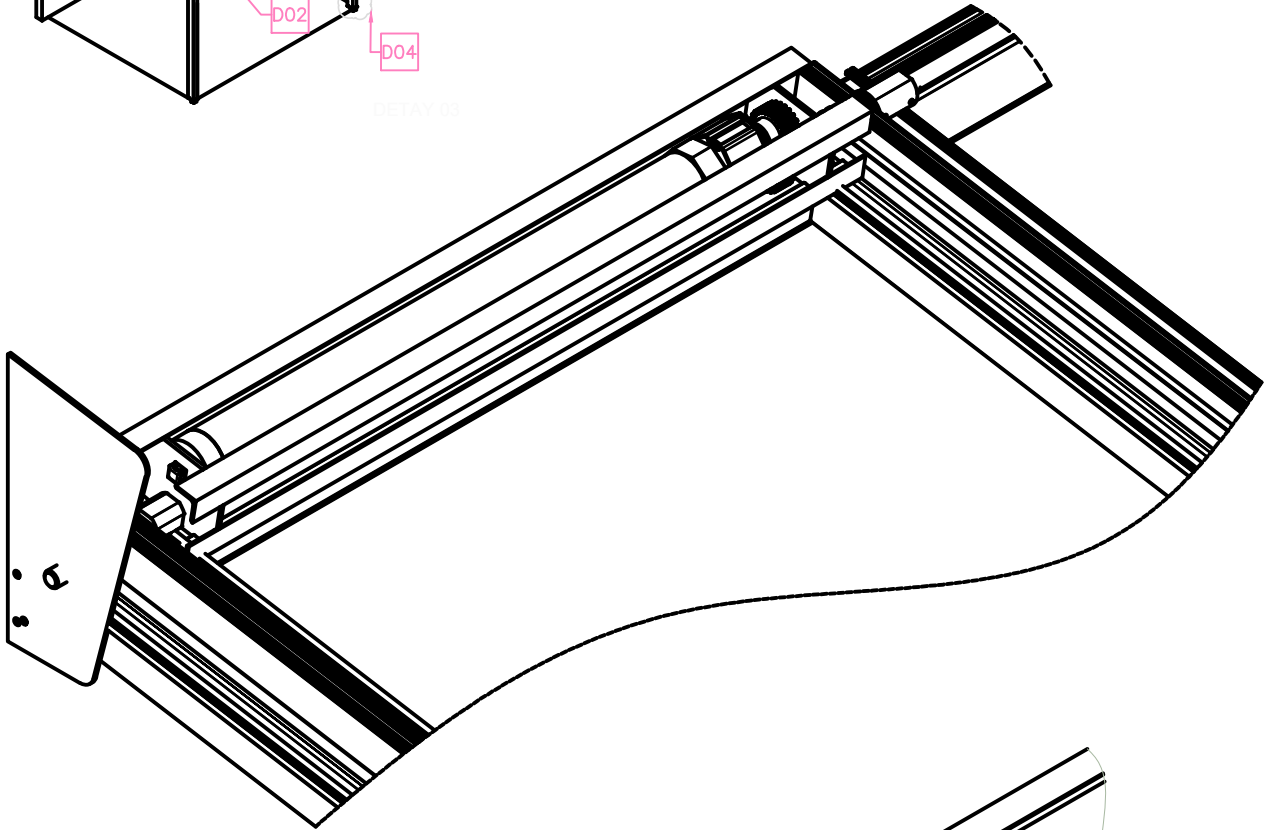
HARMONY



BALANCE

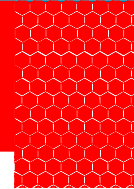


DETAIL 01



SRA150

MOTORIZED GLASS ROOF SYSTEM



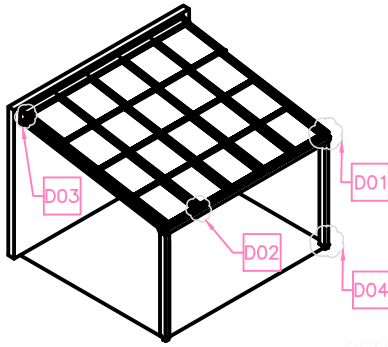
ACCURACY



HARMONY

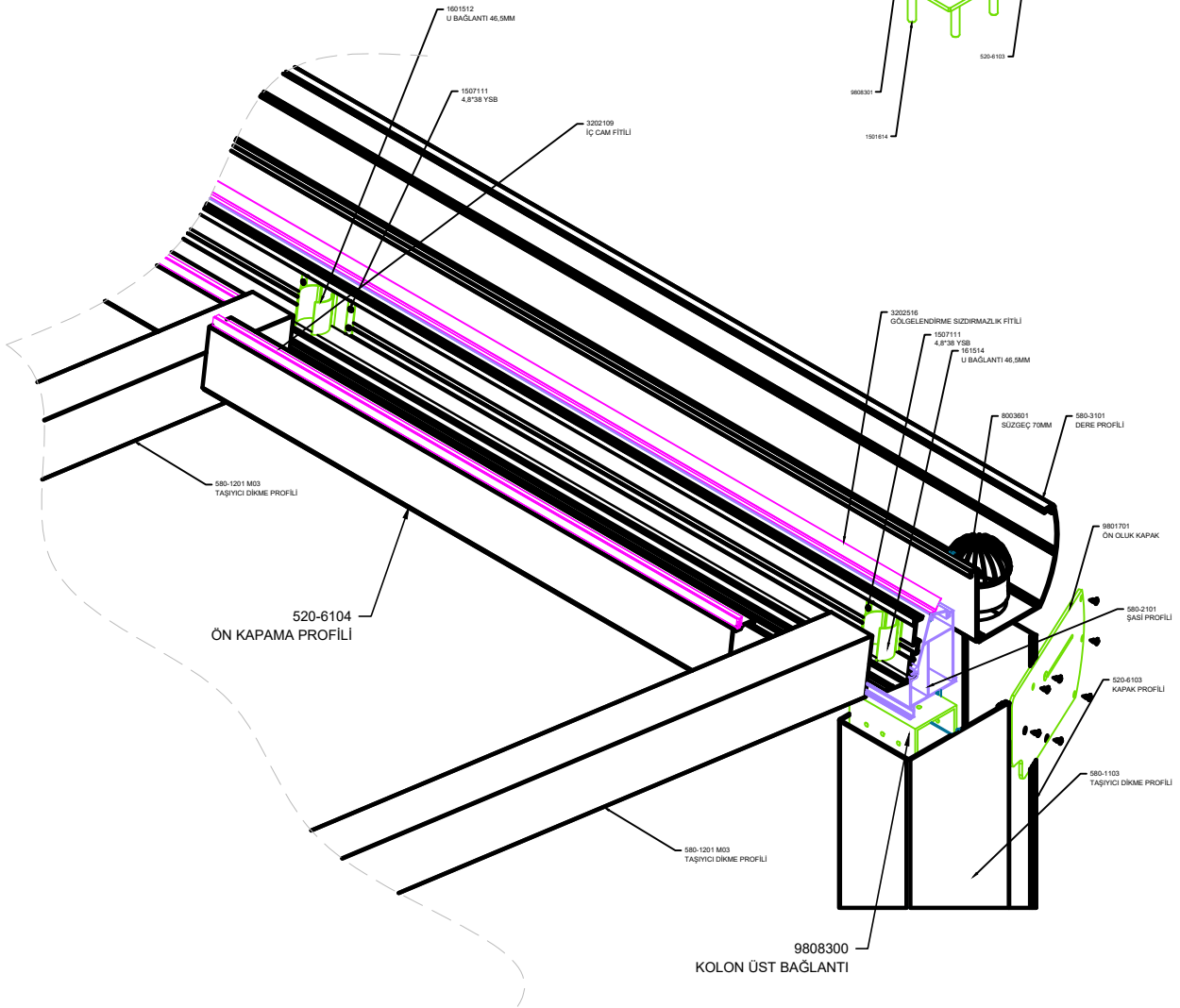
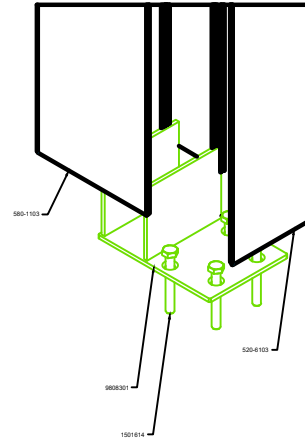


BALANCE



DETAY D4
ALT MONTAJ

DETAY D5
ALT MONTAJ



SRA150

MOTORIZED GLASS ROOF SYSTEM



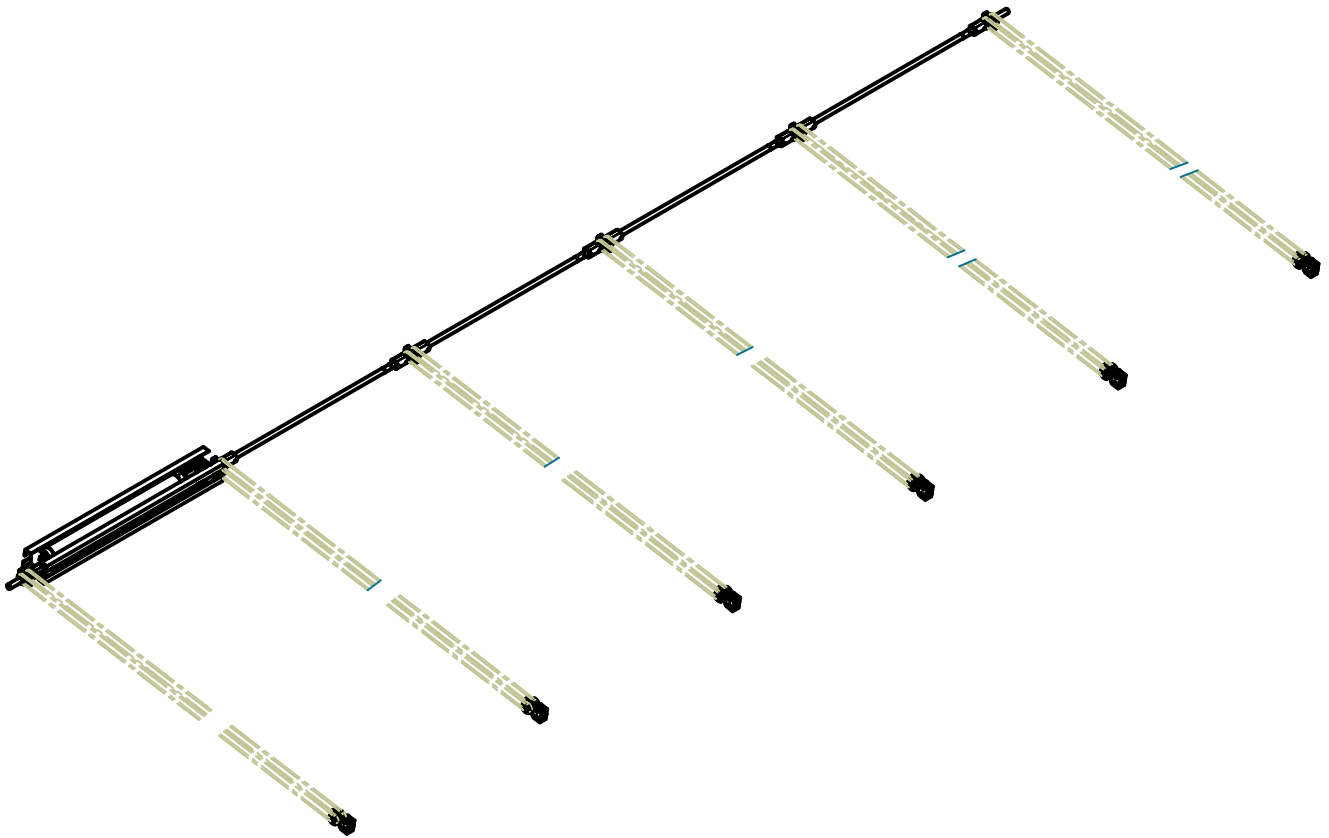
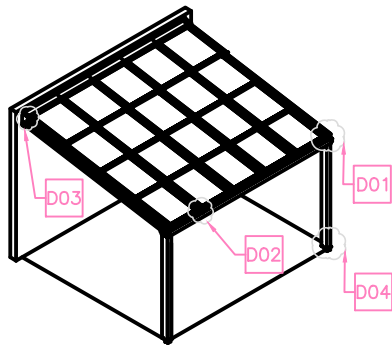
ACCURACY



HARMONY

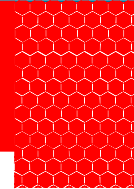


BALANCE



SRA150

MOTORIZED GLASS ROOF SYSTEM



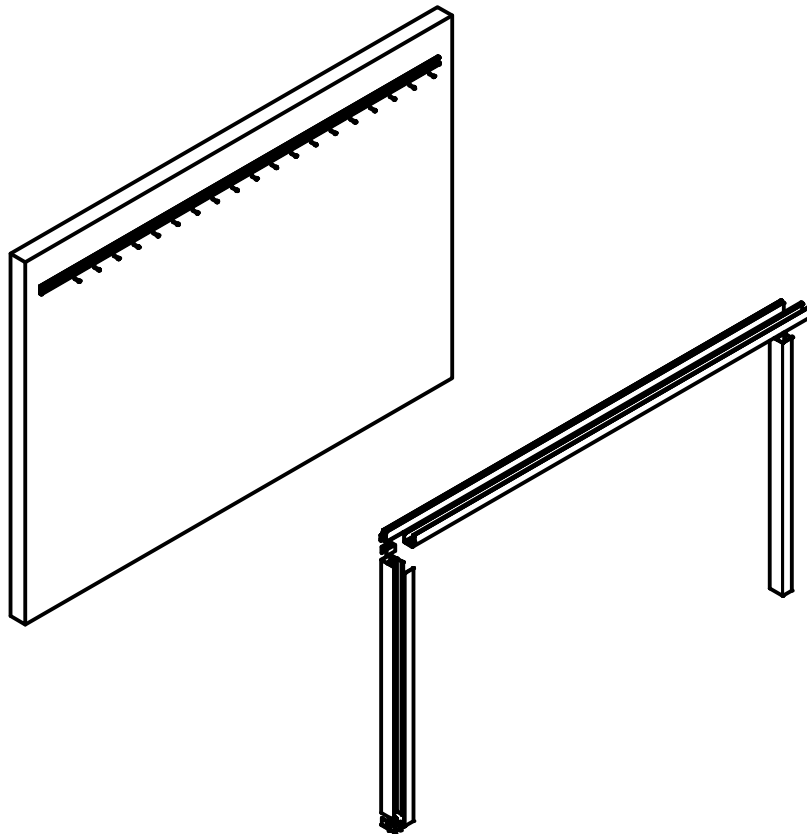
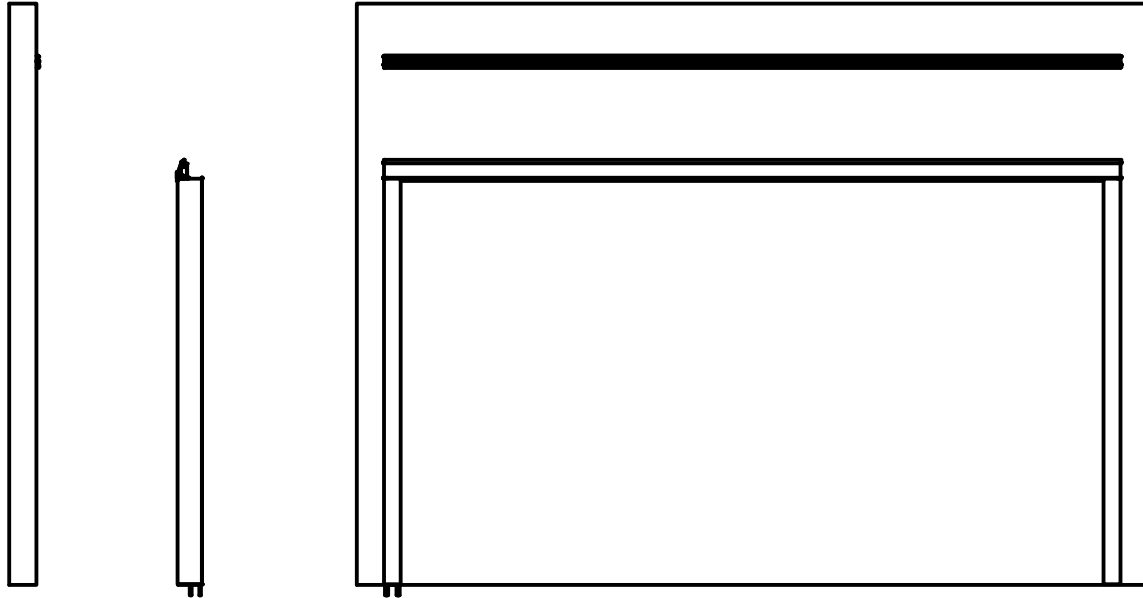
ACCURACY



HARMONY

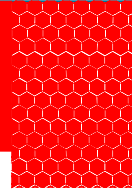


BALANCE



SRA150

MOTORIZED GLASS ROOF SYSTEM



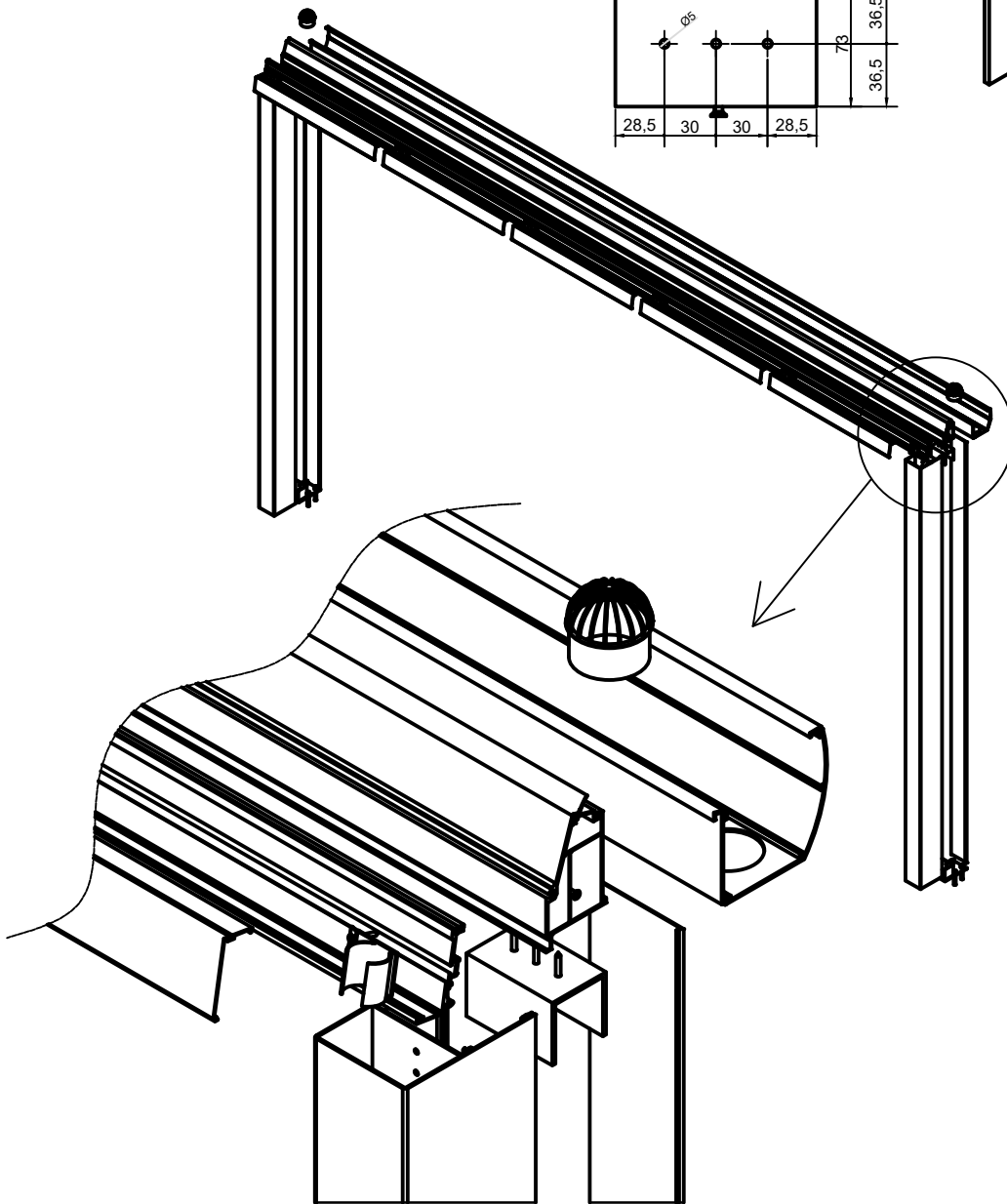
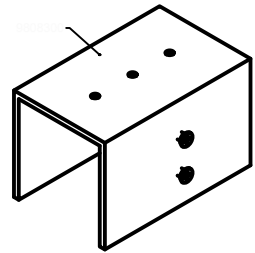
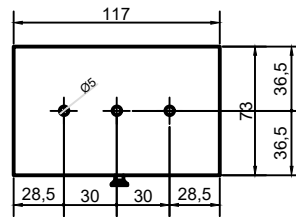
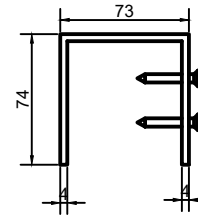
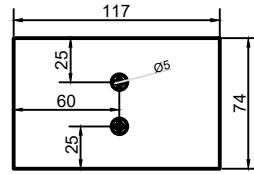
ACCURACY



HARMONY

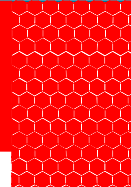


BALANCE



SRA150

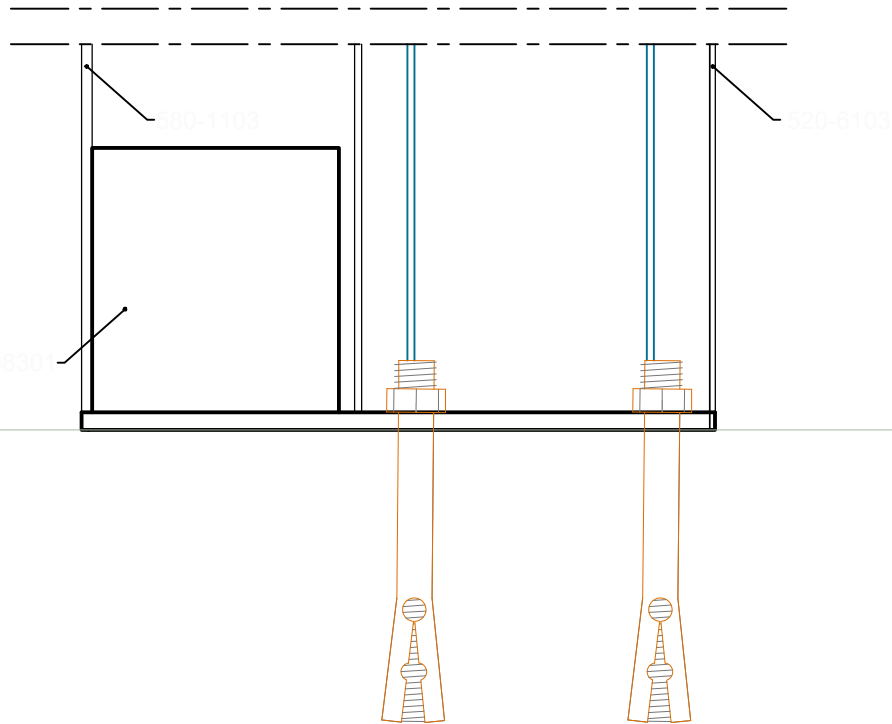
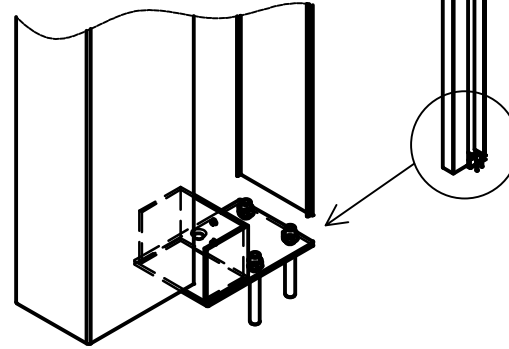
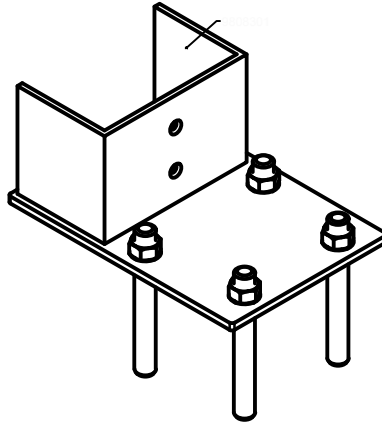
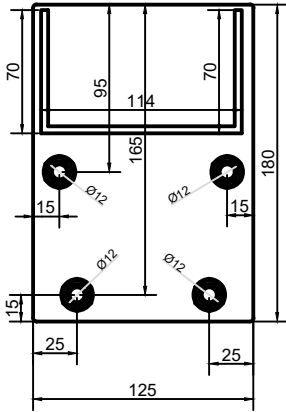
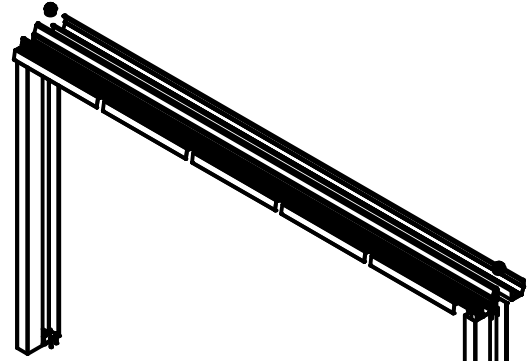
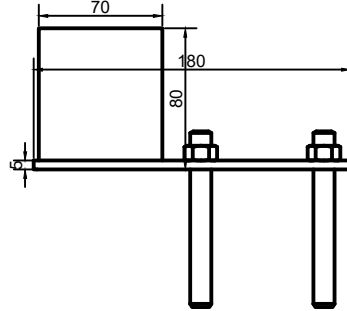
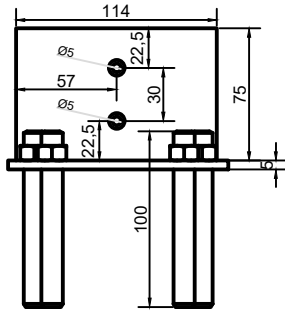
MOTORIZED GLASS ROOF SYSTEM



ACCURACY

HARMONY

BALANCE



SRA150

MOTORIZED GLASS ROOF SYSTEM



ACCURACY



HARMONY



BALANCE

